

# Infinity 060 Installation Instructions

99-22826-1001

June 2016



Order replacement parts today, visit us at [www.anthonystore.com](http://www.anthonystore.com)

## Anthony Locations

Anthony is a manufacturer and solutions provider of glass doors, lighting systems and display equipment for use in commercial refrigeration systems. For more information on Anthony, please visit [www.anthonylntl.com](http://www.anthonylntl.com).

### North America Locations

#### Sylmar, CA

##### Corporate Offices

12391 Montero Avenue

Sylmar, CA 91342

Phone : 818.365.9451

Toll Free US: 800.772.0900

Canada : 800.336.8825

Fax : 818.365.2441

#### Madison, GA

1101 Sovis Rd

Madison, GA 30650

Phone: 706.342.9300

Fax: 706.342.9303

#### Conyers, GA

709 Sigman Road NE

Conyers, GA 30013

Phone: 678.607.3800

Fax: 678.607.3700

### International Location

#### Shanghai, China

No.280, Lane

928, Zhennan Road, Shanghai

China 200331

Phone: +86 216 284 8855

Fax: +86 216 284 9513

For Replacement parts go to [www.anthonystore.com](http://www.anthonystore.com)

For our latest instructional and informative videos visit our **YouTube** channel

For the latest news and upcoming product releases follow us on these social media platforms:



TWITTER



YOUTUBE



LINKEDIN

## Safety and Warnings

Your safety and the safety of others is very important. We have provided many important safety messages in this manual. Please read these messages carefully. These safety messages alert you to potential hazards that could hurt you or others or render damage to Anthony products.

Each safety message is associated with a safety alert symbol. These symbols are found in the throughout the manual. The definition of these symbols is described below:



**Protective Eyewear**– Potential risk of eye injuries, protective eyewear required when performing this and any other associated tasks.



**Protective Gloves**– Potential risk of injury to your hands, protective gloves required when performing this and any other associated tasks.



**Risk of Electrical Shock**– Potential risk of Electrical Shock; pay close attention to instructions when performing this and any other associated tasks.



**Commercial Refrigeration** – This symbol indicates for use inside a commercial refrigeration case with packaged foods only.



**Warning** – To reduce the risk of fire, electrical shock or injury observe the following:

1. Use this unit in the manner intended by the manufacturer.
2. Turn power off before removing existing lighting system and follow appropriate lock out/tag out safety procedures



**Stop** – Before you begin: Installation of this assembly requires a person familiar with the construction and operation of electrical systems and the Hazards involved. Read instructions completely and carefully.

### Qualified Personnel

The Anthony product/systems described in this installation manual should only be operated only by personnel qualified for the specific task in accordance with the relevant documentation, in particular its warning notices and safety instructions. Qualified personnel are those who, based on their training and experience, are capable of identifying risks and avoiding potential hazards when working with these Anthony products/systems.

## Table of Contents

<b>INFINITY 060 DOOR WITH ALUMINUM FRAME INSTALLATION INSTRUCTIONS .....</b>	<b>4</b>
PRELIMINARY CONSIDERATIONS FOR DOOR & FRAME SERVICING .....	4
ORDERING REPLACEMENT PARTS .....	4
Tools Required .....	4
Recommendations and Suggestions .....	4
ALUMINUM FRAME ASSEMBLY AND PARTS .....	5
<b>ALUMINUM FRAME INSTALLATION .....</b>	<b>11</b>
FRAME INSTALLATION .....	11
SHIMMING .....	12
SEALING THE FRAME .....	13
FRAME ELECTRICAL WIRING CONNECTIONS .....	14
<b>INFINITY 060 WITH ALUMINUM FRAME DOOR ASSEMBLY .....</b>	<b>15</b>
DOOR ASSEMBLY INSTALLATION .....	16
TORQUEMASTER AND SAG ADJUSTMENT .....	18
DOOR ASSEMBLY REMOVAL .....	19
REPLACING THE HANDLE SIDE FLAP .....	22
<b>INFINITY 060 DOOR WITH PLASTIC FRAME INSTALLATION INSTRUCTIONS .....</b>	<b>24</b>
PRELIMINARY CONSIDERATIONS FOR DOOR & FRAME SERVICING .....	24
ORDERING REPLACEMENT PARTS .....	24
Tools Required .....	24
Recommendations and Suggestions .....	24
PLASTIC FRAME ASSEMBLY AND REPLACEMENT PARTS .....	25
<b>PLASTIC FRAME INSTALLATION .....</b>	<b>27</b>
FRAME INSTALLATION .....	27
JOINING MULTIPLE FRAMES .....	29
SHIMMING .....	30
FRAME ELECTRICAL WIRING CONNECTIONS .....	31
<b>INFINITY 060 WITH PLASTIC FRAME DOOR ASSEMBLY .....</b>	<b>32</b>
DOOR ASSEMBLY INSTALLATION .....	33
TORQUEMASTER AND SAG ADJUSTMENT .....	35
DOOR ASSEMBLY REMOVAL .....	36
REPLACING THE HANDLE SIDE FLAP .....	38
<b>APPENDIX A .....</b>	<b>40</b>
<b>REVISION HISTORY .....</b>	<b>45</b>

# Infinity 060 Door with Aluminum Frame

## Installation Instructions

The installation of the Infinity 060 requires installation of a new frame and door. Pages 4-23 feature the aluminum frame option. For a plastic frame version of the Infinity 060 - see Section "Infinity 060 Plastic Installation Instructions" beginning on page 24.

Please read this manual in its entirety. It should answer most of your installation questions. For personal and system safety, and for optimum product performance, make sure you thoroughly understand the contents before installing, using, or maintaining this product.

## Preliminary Considerations for Door & Frame Servicing

### Ordering Replacement Parts

Ordering replacement parts for your Infinity 060 is easy, visit us at [www.anthonystore.com](http://www.anthonystore.com) to place orders, lookup past work orders, and get quotes fast and easy.

### Tools Required

#2 Phillips-head screwdriver  
Needle-nose pliers  
7/16" & 1/2" hand wrench  
Wire stripper and cutter  
Heat gun

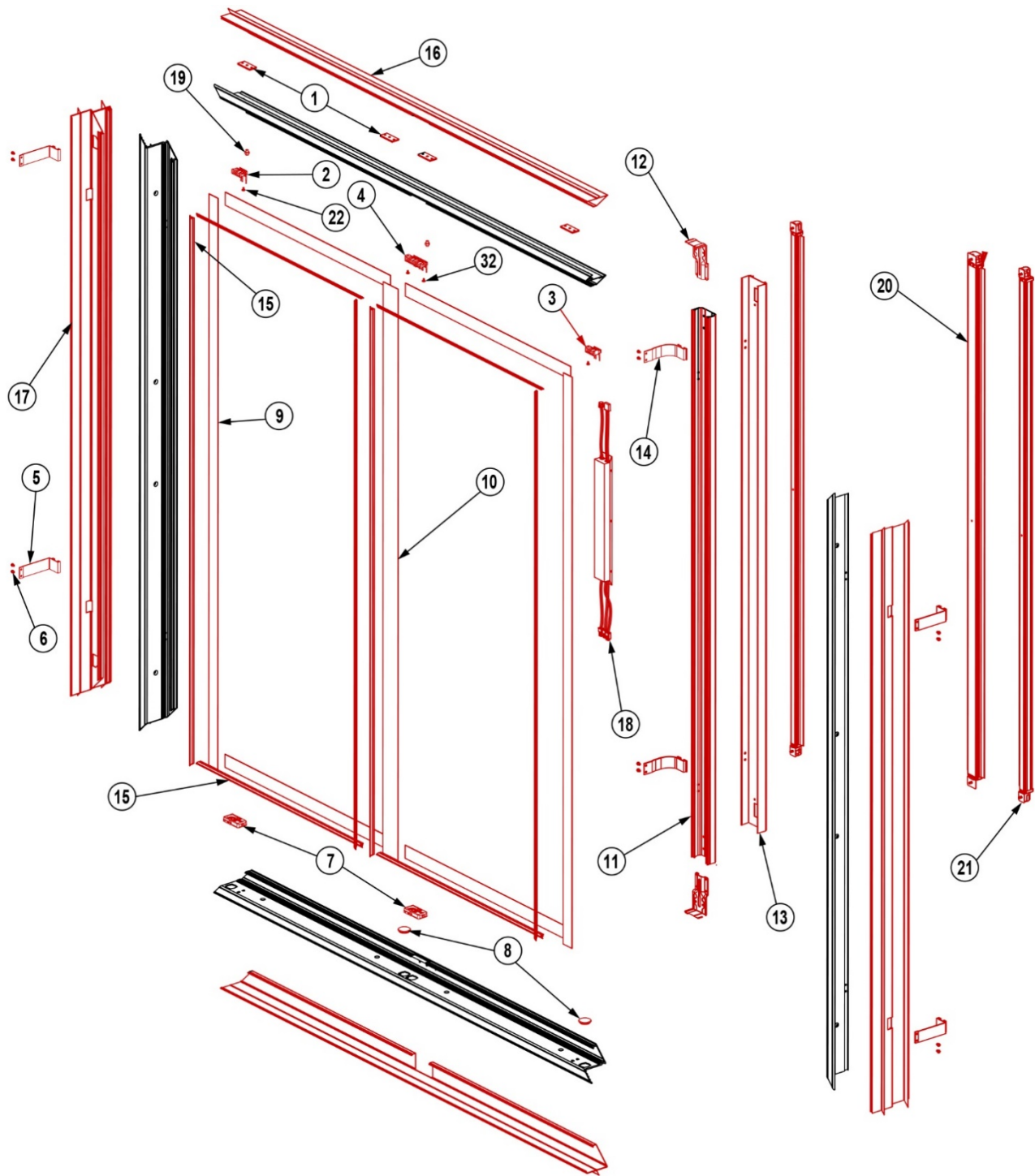
Flat-head screwdriver  
Rubber or plastic mallet  
5/32" hex key  
Soldering iron  
Razor knife

### Recommendations and Suggestions

- Complete replacement of wire assemblies is recommended whenever required. Splice wires only if necessary, using proper materials such as electrical tape, wire nuts, flux core solder and heat shrink.
- Apply liquid soap to rail plastic covers and gaskets upon installation, to facilitate insertion into mounting grooves.
- Keep doors and frames clean for product efficiency. This can also help reduce energy consumption and potential health hazards.
- Whenever binding gasket or plastic parts, use food grade silicone.
- Always use the correct tool for the job to be performed. This ensures proper installation and minimizes safety risks.
- If there is any doubt about the work to be performed, consult with a certified technician or Anthony representative.
- Preventative maintenance is recommended to ensure product longevity.
- Replacement screw size, quantity and type.

## Aluminum Frame Assembly and Parts

Figure 1. Infinity 060 Aluminum Frame Assembly for Replacement Parts See Table 1 for part numbers



**Note: Parts depicted in Red can be replaced, parts in Black are not replaceable**

**Table 1. Infinity 060 Aluminum Frame Replacement Parts**

ITEM #	PART #	DESCRIPTION
1	15-10806-0001	HOLD OPEN BACKING PLATE
2	60-12376-0001	LEFT SINGLE STATION SOCKET CONNECTION, BLACK
3	60-12376-0002	RIGHT SINGLE STATION SOCKET CONNECTION, BLACK
4	60-12377-0001	DUAL STATION SOCKET CONNECTION
5	11-12868-0001	END MULLION POST BRACKET
6	40-13723-1004	1/4ACF HWH TAP SCREW, 10-24 X 5/16
7	02-10568-0001	TORQUEMASTER ASSEMBLY
8	20-12754-0001	TORQUEMASTER PLUG CAP
9	15-15250-X0XX	END PLATE
10	15-15250-20XX	2.515 CENTER PLATE
11	11-16429-F100	CENTER MULLION
12	15-16435-0001	FRONT LOAD MULLION BRACKET
13	20-12640-0000	MULLION COVER
14	11-10602-0001	1-1/4" CENTER MULLION POST BRACKET
15	20-20109-10XX	FRAME & MULLION RETAINER
16	20-12512-0000	FRAME PERIMETER W/O RACEWAY COVER
17	20-12671-0000	END PERIMETER COVER
18	60-19910-0002	LED DRIVER, 24V/100W
19	40-14616-0001	HOLD OPEN PIVOT STANDOFF
20	60-18898-0001	60" CENTER LED ASSY, 4000K
21	60-18899-0001	60" LEFT END LED ASSY, 4000K
22	40-12822-1003	TAPII PPH SCREW, 8-32 X 1/4, ZINC

Figure 2. Infinity 060 Aluminum Frame Section Views (Front View) See Tables 2-5 for part numbers

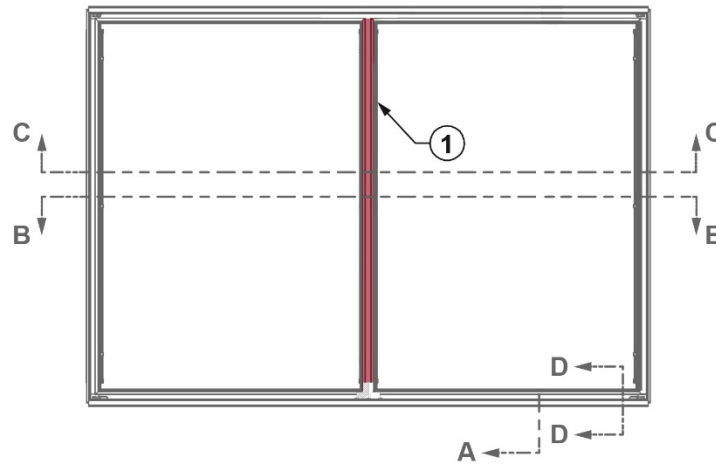
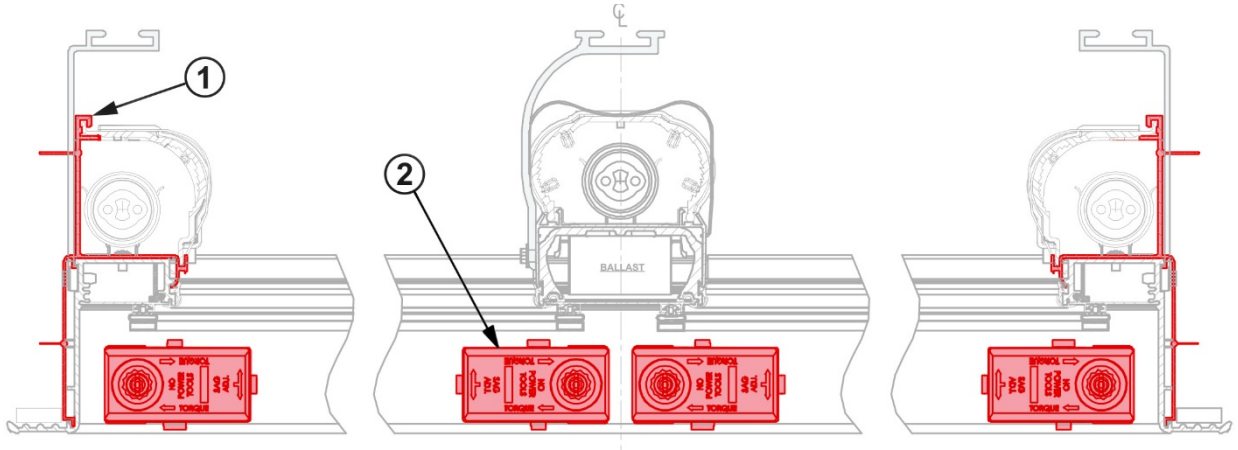


Table 2. Infinity 060 Aluminum Frame Replacement Parts

Item #	Part #	Description
1	02-15842-0000	FRONT LOAD CENTER MULLION ASSY

Figure 3. Infinity 060 Aluminum Frame (Section B-B View) See Table 3 for part numbers.





*Table 3. Infinity 060 Aluminum Frame - Section B-B View Replaceable Parts*

Item #	Part #	Description
1	20-12671-0020	END PERIMETER COVER
2	02-10568-0001	TORQUE MASTER ASSEMBLY

Figure 4. Infinity 060 Aluminum Frame (Section C-C View) See Table 4 for part numbers.

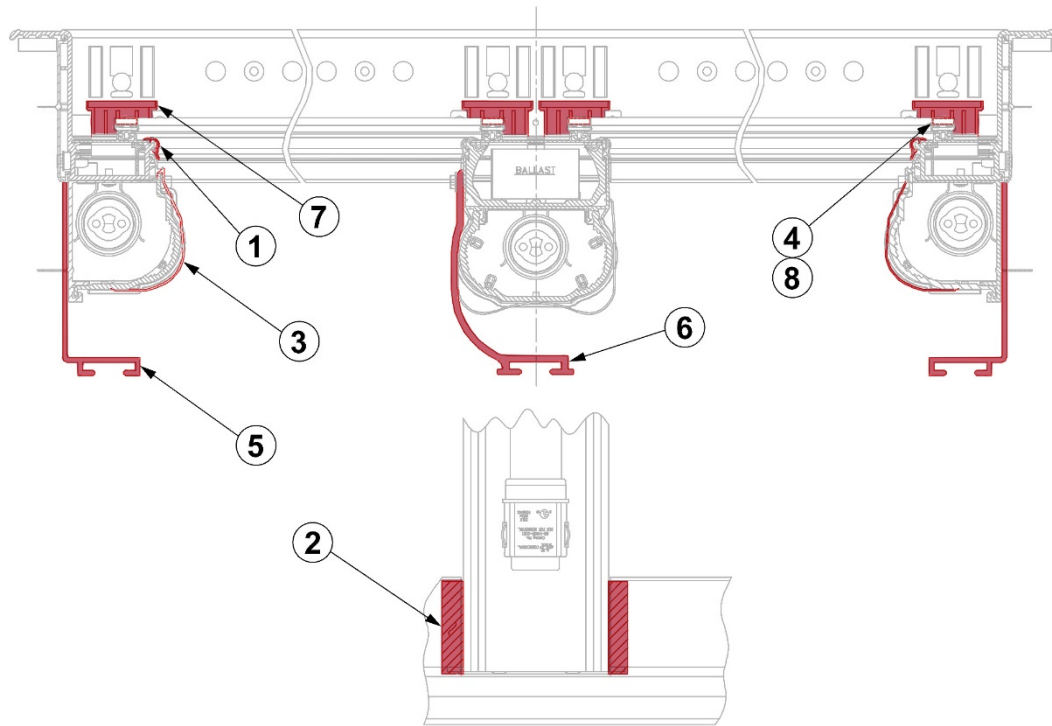


Table 4. Infinity 060 Aluminum Frame - Section C-C View Replaceable Parts

Item #	Part #	Description
1	20-10619-1011	FRAME & MULLION RETAINER
2	70-13704-0001	MULLION TO FRAME GASKET
3	02-14787-000X	END MULLION LENS ASSEMBLY
4	02-17218-0001	VISTA 2-DOOR GASKET ASSEMBLY
5	11-12868-0001	END MULLION POST BRACKET
6	11-10602-0001	CENTER MULLION POST BRACKET
7	60-12376-000X	SINGLE STATION SOCKET CONNECTION
8	02-17278-0001	VISTA 1-DOOR GASKET ASSEMBLY

Figure 5. Infinity 060 Aluminum Frame (Section D-D View) See Table 5 for part numbers.

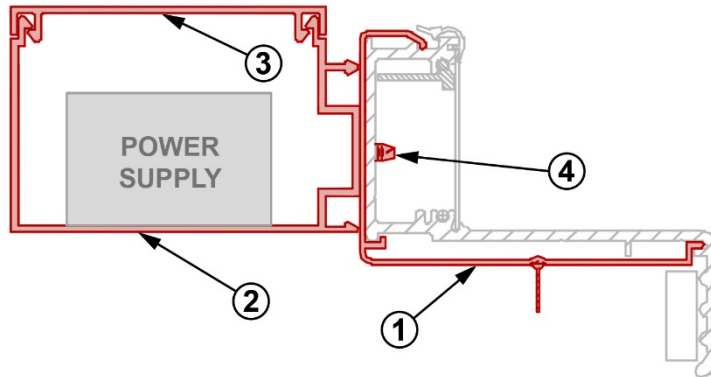


Table 5. Infinity 060 Aluminum Frame - Section D-D View Replaceable Parts

Item #	Part #	Description
1	20-15212-1024	FRAME PERIMETER W/O RACEWAY COVER
2	11-10048-0010	BALLAST RACEWAY
3	20-10049-0040	CENTER BALLAST RACEWAY COVER
4	40-13723-1004	TAP1/4ACF HWH SCREW, 10-24 X 5/16

## Aluminum Frame Installation

Read instructions completely before installing the frame.

- Clearance between the frame sill and the case bottom or floor is mandated by local building codes.
- Sill net opening height must be at a minimum of two inches.
- Sill must be completely level.



***Before installing the frame, confirm that the size of the net opening accommodates the finish frame. If the tolerances are too high, the net opening will have to be enlarged. When gap between the frame and net opening is greater than 1/8", shim the gap for a proper fit refer to Shimming Section for clarification.***



***Protective Eyewear– Potential risk of eye injuries, protective eyewear required when performing this and any other associated tasks.***



***Protective Gloves– Potential risk of injury to your hands, protective gloves required when performing this and any other associated tasks.***

## Frame Installation

Verify openings conform to net openings listed in price book or original order.

1. Insert the finished frame assembly into the net opening. DO NOT force the frame if the fit is too tight.
2. Insert a mounting screw into a mounting hole in each corner of the frame and tighten each screw until it is approximately a quarter inch from flush.
3. Check the frame is aligned properly or square. Refer to "Frame Installation Reference".
  - Use a measuring tape to measure diagonally one corner to the opposite and note the distance.
  - Measure the distance between the remaining two corners.
  - Both measurements should be the same, within a 1/16" difference.
4. Confirm the frame and frame flanges are vertically aligned to the wall surface around the net opening. Refer to Figure 7 Frame Installation reference for further clarification.
5. Place a level on the top flange of the header frame to check if it is horizontally aligned.
6. If the top of the header frame sags or bows, correct as necessary.
7. When the frame is aligned, tighten all mounting screws securely until each is flush to the frame surface.



***Warning: DO NOT over-tighten the screws, as this can cause the frame to become out of square.***

8. Check entire frame to ensure installation is correct.

## Shimming

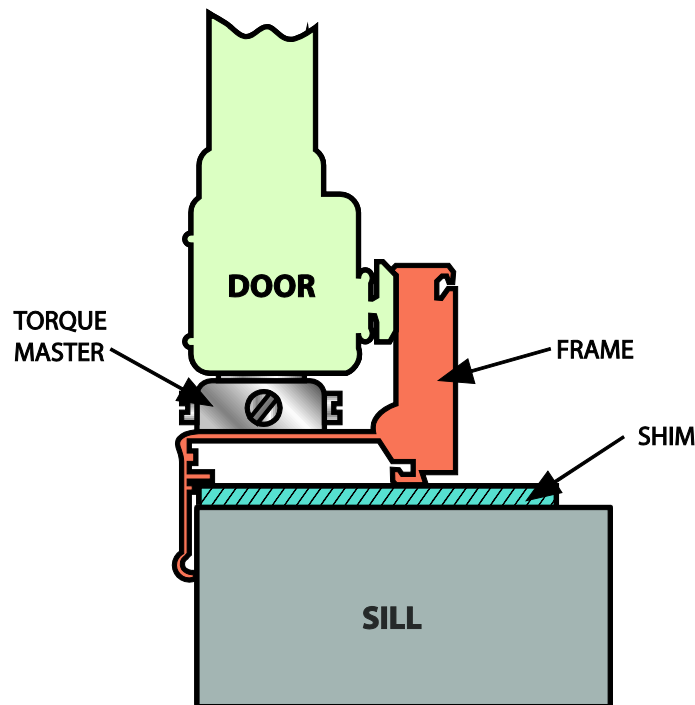
Check the size of the finished frame to the net opening.

- Subtract the frame height measurement, from the net opening's height measurement.
- Subtract the frame width measurement, from the net opening's width measurement.
- Divide each number in half. This is the amount of gap that will occur between the width of the frame and the net opening.

If the gap between the frame and net opening is greater than 1/8", shim the gap for a proper fit. Refer to Figure 6 for detailed view of Shim location.

1. Acquire sturdy, penetrable material, such as plywood. The thickness of the
2. material should be wedge shaped or slightly less than the gap to be filled.
3. Measure the gap length (height or width of frame) and cut the shim material to 1/16" less than the measured length.
4. Install the shim using the same type of mounting hardware that will be used to install the frame. Be certain that the shim installation hardware will not interfere with the frame installation hardware.
5. If necessary, cut a second shim to the same length and install it in the opposite side of the net opening.
6. If the adjacent sides of the net opening need shimming, repeat the previous steps. Match the shim length to the frame sides of the net opening (less 1/16").

*Figure 6. Infinity 060 Aluminum Anthony Door and Frame Cross Section. (Shim Location)*



## Sealing the Frame

The electrical connection at the Junction Box where the wires enter the frame, and where the wires enter the raceway in the frame must be sealed with silicone caulking at the time of installation.



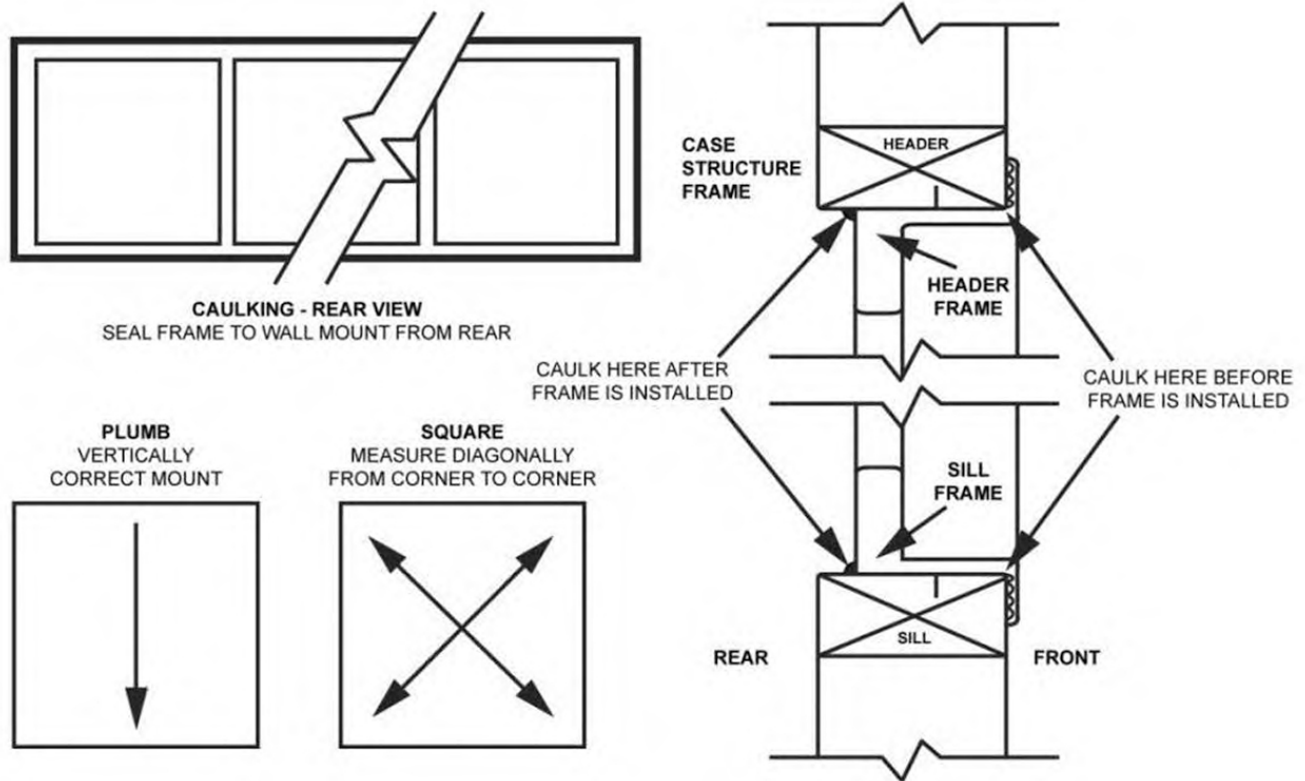
**Warning** – To reduce the risk of fire , electrical shock or injury observe the following:

- a. Use this unit in the manner intended by the manufacturer.
- b. Turn power off before removing existing lighting system and follow appropriate lock out/tag out safety procedures



**Warning:** Use only food grade silicone sealant (add caulking for larger gaps) to seal the gap between the frame and the surrounding wall, inside case, cooler or freezer. Not following these procedures can void Anthony's Service & Warranty on condensation and ice build-up issues.

Figure 7. Frame Installation Reference



## Frame Electrical Wiring Connections

The electrical connection at the Junction Box where the wires enter the frame, and where the wires enter the raceway in the frame must be sealed with silicone caulking at the time of installation.



**Stop:** Wiring for lights should have a separate circuit from the door/frame heater wiring circuit.



**Warning –** To reduce the risk of fire, electrical shock or injury observe the following:

- Use this unit in the manner intended by the manufacturer.
- Turn power off before removing existing lighting system and follow appropriate lock out/tag out safety procedures



**Risk of Electrical Shock–** Potential risk of Electrical Shock; pay close attention to instructions when performing this and any other associated tasks.

Figure 8. Wire Diagram Connection Labels for 100-120V and 200-240V

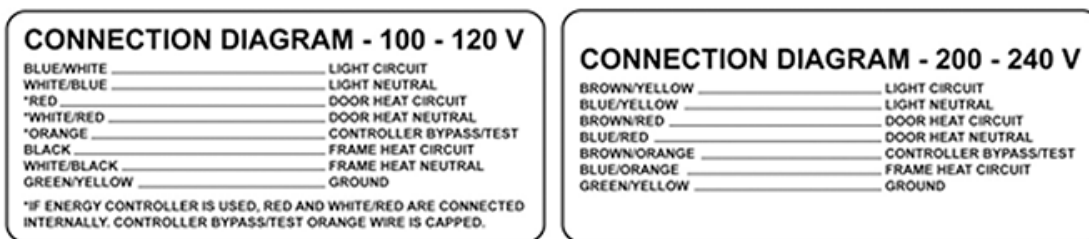


Figure 9. Wiring layout without Energy Controller

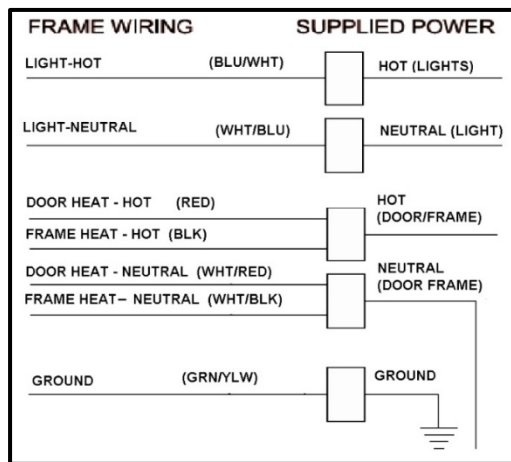
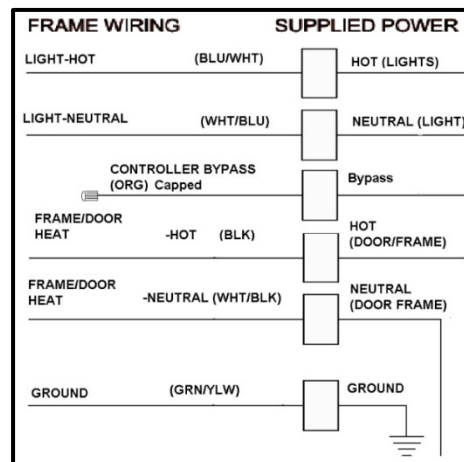


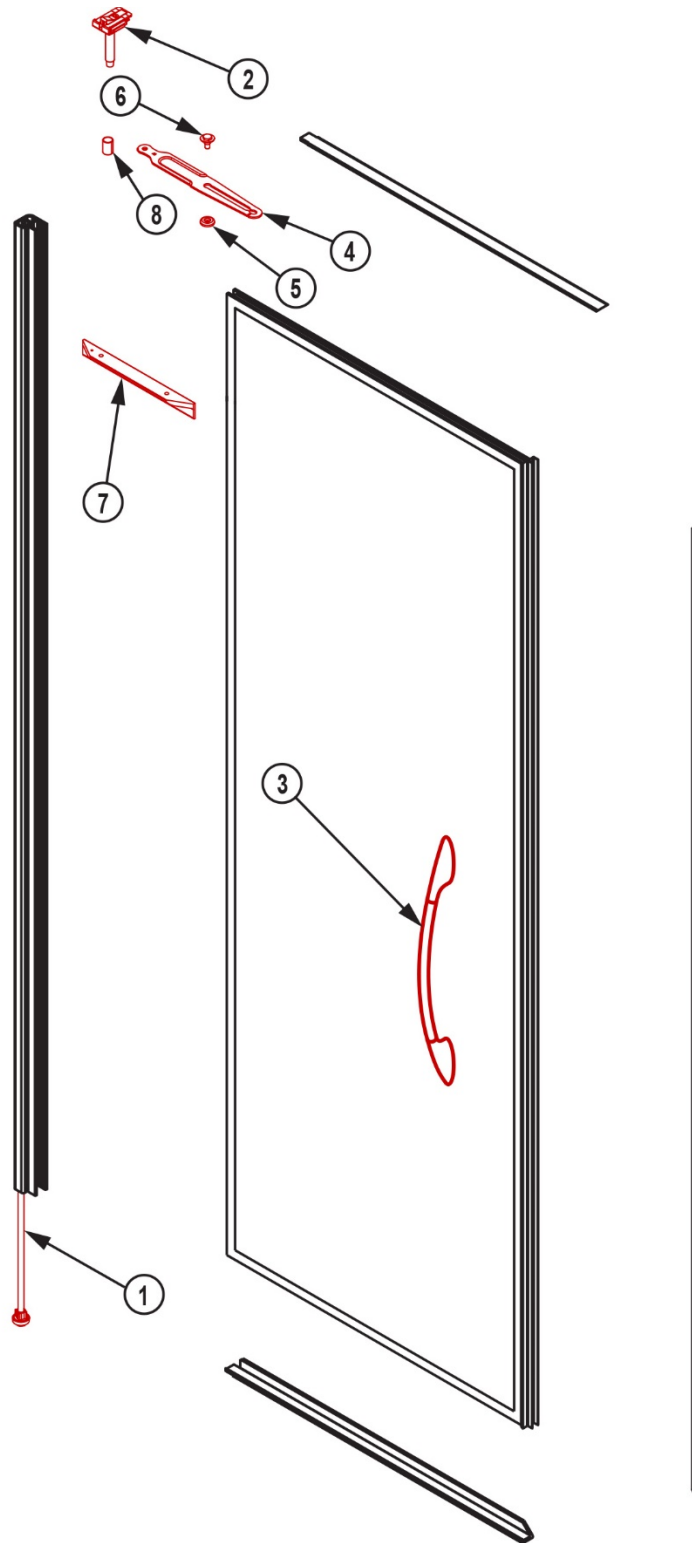
Figure 10. Wiring layout with Energy Controller



The seven individual wires extending from the flexible conduit atop the frame provide electrical power to various frame and door functions. See the Electrical Wiring Diagrams above for the color-coded connections.

## Infinity 060 with Aluminum Frame Door Assembly

Figure 11. Infinity 060 with Aluminum Frame Door Assembly for Replacement Parts See Table 6 for Replacements Part Numbers



**Note:** Parts depicted in Red can be replaced, parts in Black are not replaceable



Table 6. Infinity 060 Door Replaceable Parts

Item #	Part #	Description
1	02-10308-000X	TORQUE ROD ASSEMBLY
2	60-12723-0003	HINGE PIN PLUG ASSEMBLY
3	45-17239-000X	VISTA DOOR ARCH HANDLE
4	15-14707-0001	CLOSED END HOLD OPEN FORK
5	40-15097-0001	HOLD OPEN DETENT SPACER
6	40-15096-0001	VISTA HOLD OPEN DETENT BOLT
7	11-21191-000X	VISTA HOLD OPEN BRACKET
8	40-17280-0001	VISTA TOP BUSHING

## Door Assembly Installation

The following instruction set will walk you through properly install the door onto the frame.



**Warning:** Exercise caution when handling the door.



**Protective Gloves**— Potential risk of injury to your hands, protective gloves required when performing this and any other associated tasks.

1. Hold the door on each side, with the handle facing forward. Lift the door and align the torque rod to insert into the TorqueMaster™ socket at the base of the frame.

Figure 12. Insert Torque Rod into Torquemaster



2. Engage the door with the hinge pin inserted into the Gib (hinge pin plug) receptacle at the top of the frame. Push the door into the frame until the hinge pin snaps into place.

Figure 13. Connect Hinge Pin



3. Insert the hold-open bolt through the elongated hold-open slot.

Figure 14. Installing door hold-open



4. To install the hold-open, insert the washer and the hold-open bolt into the frame mounting hole and tighten the bolt, use a 7/16" open-ended hand wrench.
5. Set the door tension swing and correct the door alignment by adjusting the TorqueMaster. (See "TorqueMaster and SAG Adjustment")



**Warning: DO NOT over tighten the hold-open bolt. Verify that the hold-open does not bind while sliding along the hold-open bolt. Adjust as necessary.**

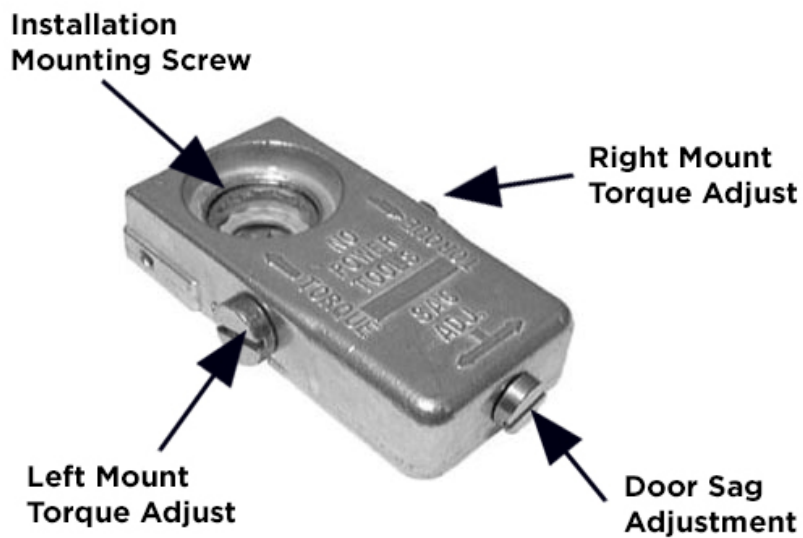
## Torquemaster and Sag Adjustment

The following instruction set will walk you through properly adjusting door location and door sag. In-depth video instructions available on our [YouTube Channel](#).



**Warning:** Exercise caution when handling the door and **DO NOT** use power tools when adjusting the TorqueMaster™.

Figure 15. Torquemaster



1. Use a flathead screwdriver to adjust the torque rod tension, by turning the outside screw on the TorqueMaster.
  - Turn counter-clockwise to increase tension.
  - Turn clockwise to decrease the tension.
2. Adjust the door sag to square the door in the frame by turning the screw that is marked SAG ADJ. (sag adjustment), on the end of the TorqueMaster, until the door is aligned square in opening.
  - Turn counter-clockwise to raise handle side of door.
  - Turn clockwise to lower the handle side of door.

## Door Assembly Removal

The following instruction set will walk you through properly removing door from frame.



**Warning:** Exercise caution when handling the door.

1. Release tension on the TorqueMaster with a flat-head screwdriver. Turn the TorqueMaster front facing screw clockwise, until the door does not automatically close from an open position.

*Figure 16. Release Torquemaster Tension*



2. Open the door to access the hold open device, then loosen and remove the hold-open detent bolt using a 7/16" hand wrench.
  - 1.

*Figure 17. Remove Hold Open Bolt*



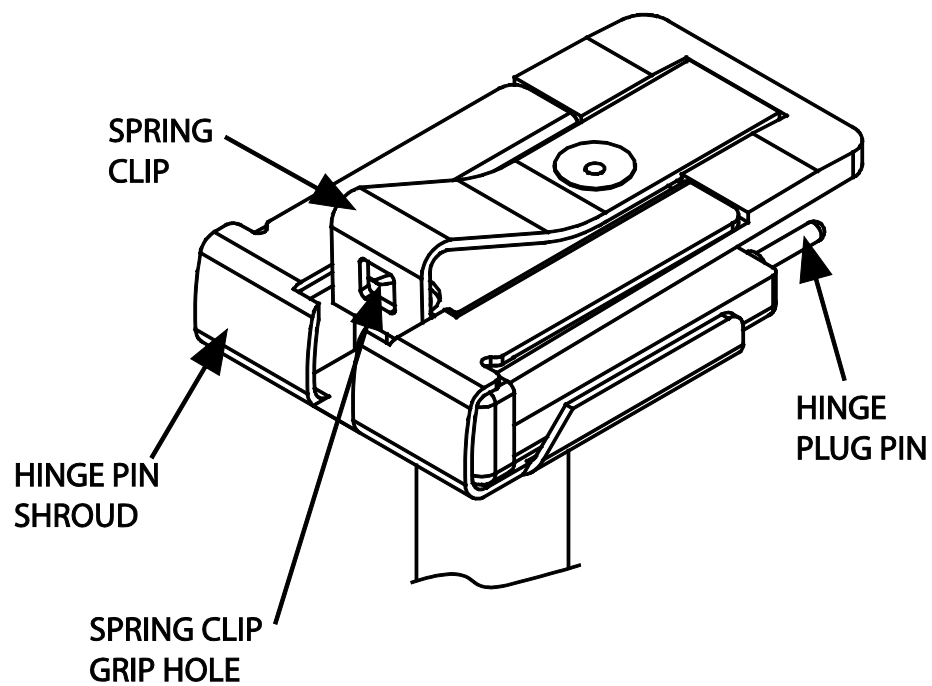
3. Retract the door to a near-closed position.

*Figure 18. Door in near-closed position*



4. Remove the hinge pin plug from the frame by inserting the top-half of needle-nose pliers into the spring clip grip hole and the bottom half beneath the hinge pin shroud.

*Figure 19. Disengaged Hinge Pin*



5. Compress the pliers to clamp down on the hinge pin spring clip, then simultaneously pull the hinge pin away from the frame and pull the door top out.

*Figure 20. Disengaged Door*



6. Lift the door out of the TorqueMaster.

*Figure 21. Withdraw from Frame*



7. Secure or lean the door on its side against a stable surface.

## Replacing the Handle Side Flap

The following instruction set will walk you through properly replacement of handle side flap.



**Warning:** Exercise caution when handling the door.



**Protective Gloves**– Potential risk of injury to your hands, protective gloves required when performing this and any other associated tasks.



**Protective Eyewear**– Potential risk of eye injuries, protective eyewear required when performing this and any other associated tasks.

1. Remove the old flap and make sure that all the glass is clean on the surface and of any excess sealant.

*Figure 22. Door rail preparation*



2. Apply silicone sealant on the new flap.



**Warning:** Insure to use silicone approved for use in commercial refrigeration applications which meets all requirements and guidelines.

*Figure 23. Silicone application*



3. Make sure that the silicone sealant bead is no wider than 3/8" in width and is applied from end to end of the door rail.
4. Remove the tape from the door rail. Place the door rail on the edge of the glass. Make sure the sealant should be against the edge of the Single glass unit and the side with tape on the back of the single glass unit.

*Figure 24. Door rail and handle side flap installation*





## Infinity 060 Door with Plastic Frame Installation Instructions

The installation of the Infinity 060 Plastic Frame requires installation of a new frame and door. Please read this manual in its entirety. It should answer most of your installation questions. For personal and system safety, and for optimum product performance, make sure you thoroughly understand the contents before installing, using, or maintaining this product.

### Preliminary Considerations for Door & Frame Servicing

#### Ordering Replacement Parts

Ordering replacement parts for your Infinity 060 is easy, visit us at [www.anthonystore.com](http://www.anthonystore.com) to place orders, lookup past work orders, and get quotes fast and easy.

#### Tools Required

#2 Phillips-head screwdriver  
Needle-nose pliers  
7/16" & 1/2" hand wrench  
Wire stripper and cutter  
Heat gun

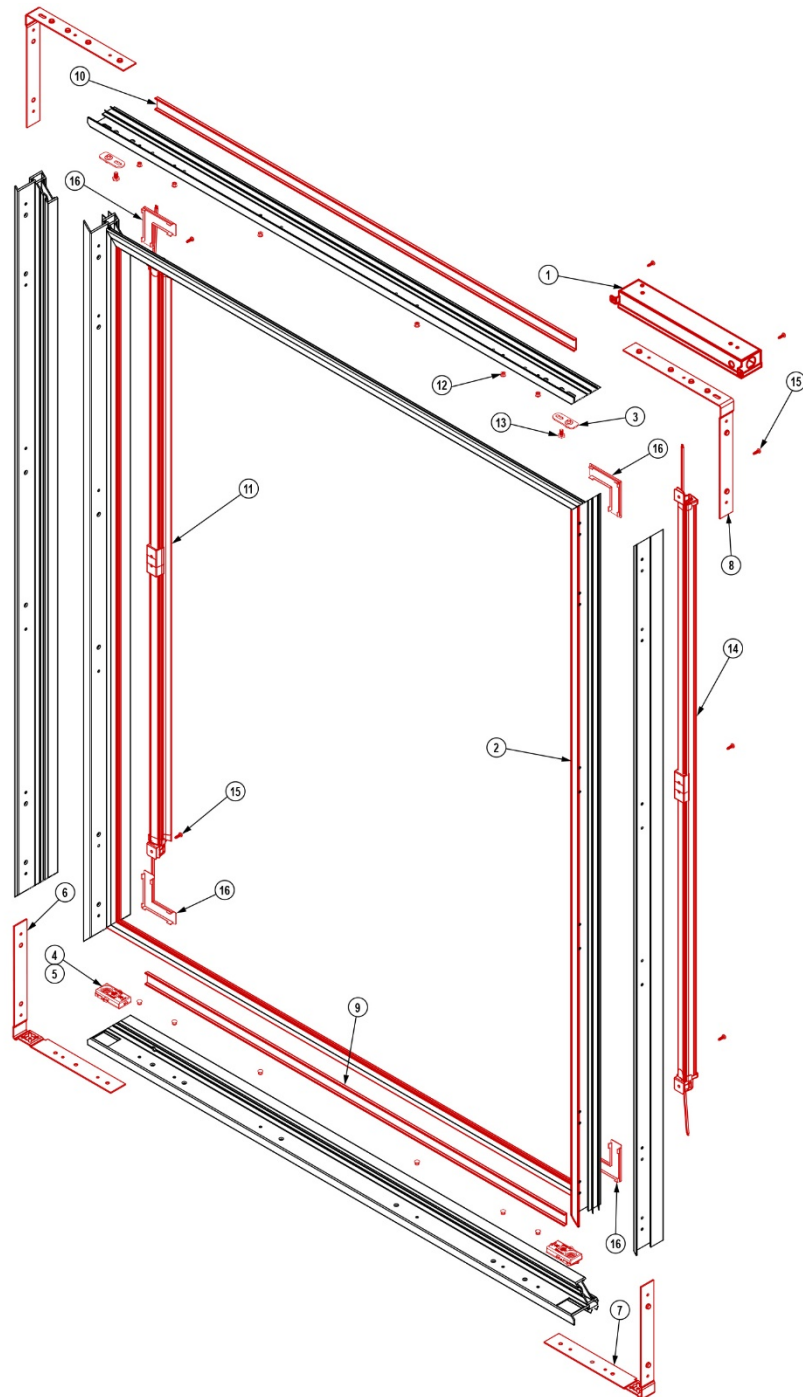
Flat-head screwdriver  
Rubber or plastic mallet  
5/32" hex key  
Soldering iron  
Razor knife

#### Recommendations and Suggestions

- Complete replacement of wire assemblies is recommended whenever required. Splice wires only if necessary, using proper materials such as electrical tape, wire nuts, flux core solder and heat shrink.
- Apply liquid soap to rail plastic covers and gaskets upon installation, to facilitate insertion into mounting grooves.
- Keep doors and frames clean for product efficiency. This can also help reduce energy consumption and potential health hazards.
- Whenever binding gasket or plastic parts, use food grade silicone.
- Always use the correct tool for the job to be performed. This ensures proper installation and minimizes safety risks.
- If there is any doubt about the work to be performed, consult with a certified technician or Anthony representative.
- Preventative maintenance is recommended to ensure product longevity.
- Replacement screw size, quantity and type.

## Plastic Frame Assembly and Replacement Parts

Figure 25. Infinity 060 Plastic Frame Assembly for Replacement Parts See Table 7 for part numbers



**Note:** Parts depicted in Red can be replaced, parts in Black are not replaceable

Table 7. Infinity 060 Plastic Frame Replaceable Parts

Item #	Part #	Description
1	02-20732-0000	RPF REMOTE DRIVER ENCLOSURE ASSEMBLY
2	02-21331-0000	AIRCELL II GASKET & MAGNET ASSEMBLY
3	02-20551-0001	RPF TOP SLIDE PLATE ASSEMBLY
4	02-11484-0002	TORQUE MASTER ASSEMBLY
5	40-10998-1003	PFH W/U-CUT SCREW, 10-32 X 1/4
6	15-20297-1001	NT SHALLOW FRAME CORNER BRACKET (LEFT)
7	15-20297-1002	NT SHALLOW FRAME CORNER BRACKET (RIGHT)
8	15-20549-1001	RPF TOP CORNER BRACKET
9	20-20095-XXXX	HEADER/SILL FRAME REAR CAP
10	20-20095-XXXX	TOP/ENDS FRAME REAR CAP
11	60-20844-1001	54" 24V LEFT END LED
12	40-11124-1004	STEEL RIVET, 3/16 X 5/16 X 3/8
13	40-20786-1006	RPF HEX BOLT, 7/16
14	60-20844-0001	54" 24V RIGHT END LED
15	40-11114-3007	PPH TYPE B SCREW, 8 X 1/2
16	20-21054-0001	RPF CORNER COVER

Figure 26. Infinity 060 Plastic Frame Driver & Heater Wire Replacement Parts See Table 8 for part numbers

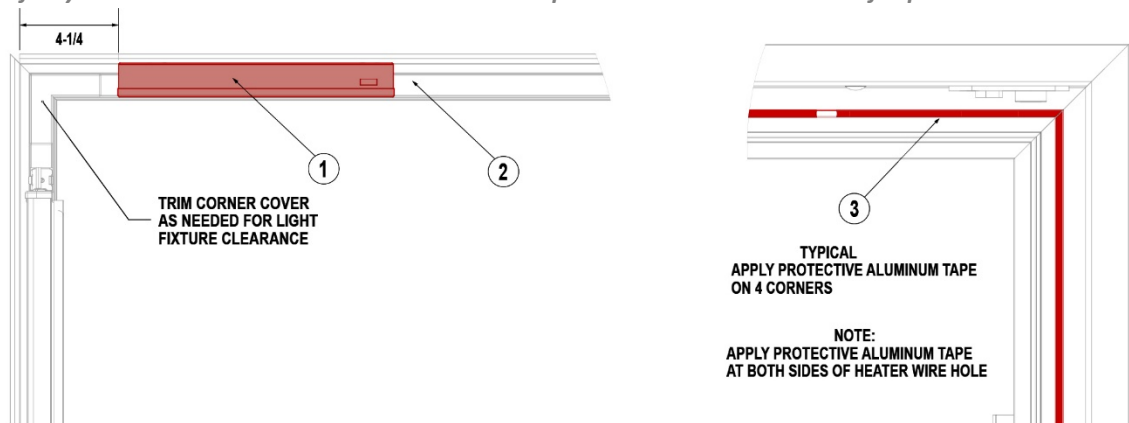


Table 8. Infinity 060 Plastic Frame Driver & Heater Wire Replacement Parts

Item #	Part #	Description
1	02-20732-0000	RPF REMOTE DRIVER ENCLOSURE ASSEMBLY
2	40-11114-3007	PPH TYPE B SCREW, 8 X 1/2
3	50-10632-00XX	HEATER WIRE
4	70-16185-0002	ALUMINUM FOIL DUCT TAPE, 1/2"

## Plastic Frame Installation

Read instructions completely before installing the frame.

- Clearance between the frame sill and the case bottom or floor is mandated by local building codes.
- Sill net opening height must be at a minimum of two inches.
- Sill must be completely level.



***Before installing the frame, confirm that the size of the net opening accommodates the finish frame. If the tolerances are too high, the net opening will have to be enlarged. When gap between the frame and net opening is greater than 1/8", shim the gap for a proper fit refer to Shimming Section for clarification. Check the size of the finished frame to the net opening.***

- ***Subtract the frame height measurement, from the net opening's height measurement.***
- ***Subtract the frame width measurement, from the net opening's width measurement.***
- ***Divide each number in half. This is the amount of gap that will occur between the frame and the net opening.***

***If the gap between the frame and the net opening is greater than 1/16", shim the gap for a proper fit.***



***Protective Eyewear– Potential risk of eye injuries, protective eyewear required when performing this and any other associated tasks.***



***Protective Gloves– Potential risk of injury to your hands, protective gloves required when performing this and any other associated tasks.***

## Frame Installation

Verify openings conform to net openings listed in price book or original order.

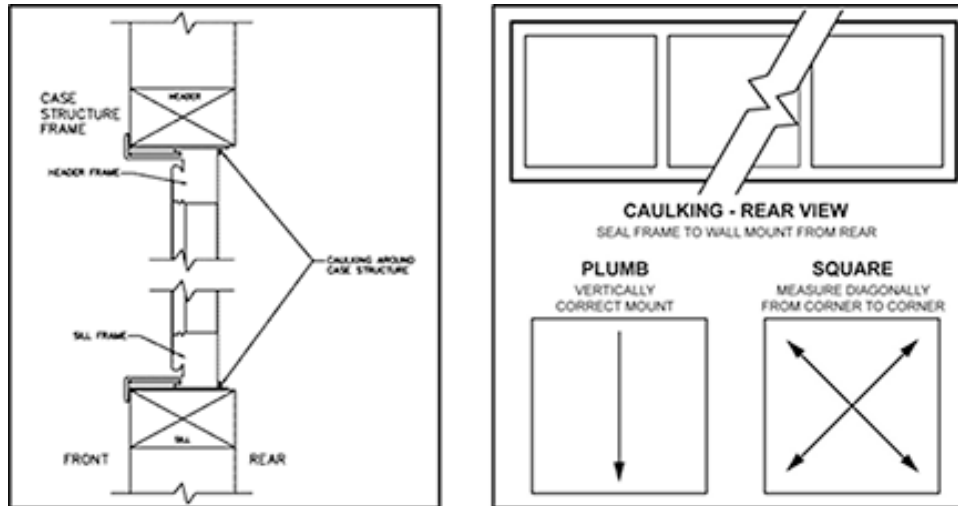
1. Insert the finished frame assembly into the net opening. DO NOT force the frame if the fit is too tight.
2. Insert a mounting screw into a mounting hole in each corner of the frame and tighten each screw until it is approximately a quarter inch from flush.
3. Check the frame is aligned properly or square. Refer to "Frame Installation Reference".
  - Use a measuring tape to measure diagonally one corner to the opposite and note the distance.
  - Measure the distance between the remaining two corners.
  - Both measurements should be the same, within a 1/16" difference.
4. Confirm the frame and frame flanges are vertically aligned to the wall surface around the net opening. Refer to Figure 27 Frame Installation reference for further clarification.
5. Place a level on the top flange of the header frame to check if it is horizontally aligned.
6. If the top of the header frame sags or bows, correct as necessary.
7. When the frame is aligned, tighten all mounting screws securely until each is flush to the frame surface.



**Warning:** DO NOT over-tighten the screws, as this can cause the frame to become out of square.

8. Check entire frame to ensure installation is correct.

Figure 27. Frame Installation Reference



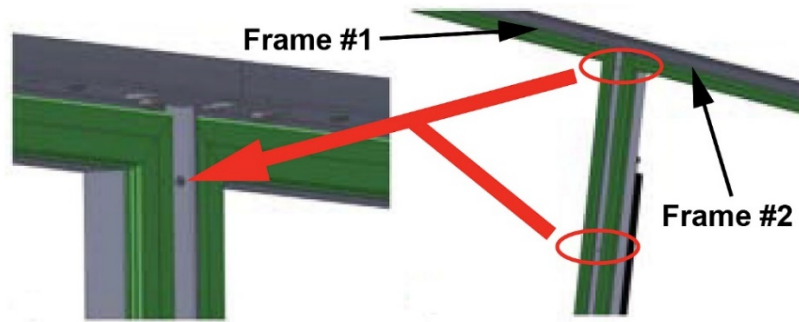
**Warning:** Use only food grade silicone sealant (add caulking for larger gaps) to seal the gap between the frame and the surrounding wall, inside case, cooler or freezer. Not following these procedures can void Anthony's Service & Warranty on condensation and ice build-up issues.

## Joining Multiple Frames

The following instruction set will walk you through properly joining multiple frames when your particular application requires adjoining frames.

1. Align both frames parallel to each other on the floor. Be sure the installation holes from the end jambs are properly aligned. Use a 7/32" [.219"] drill bit to further increase the openings of all the installation holes.

Figure 28. Joining multiple frames



2. Insert binding posts (40-11131-3004) & screws (40-11065-3028) through installation holes as shown below & tighten securely.



**NOTE:** Use flat head screw driver for this application.

## Shimming

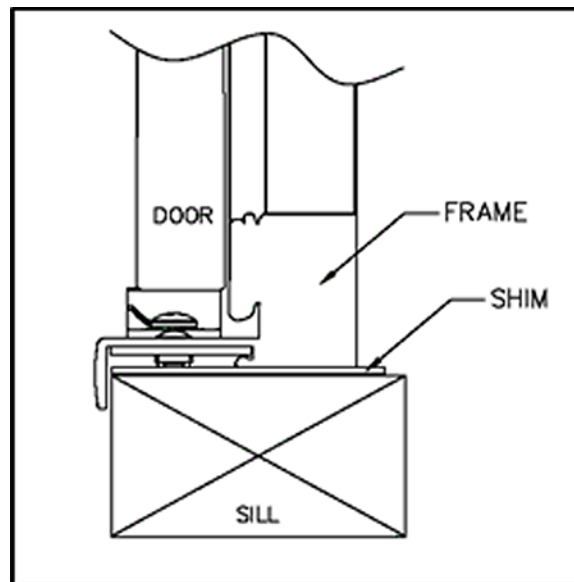
Check the size of the finished frame to the net opening.

- Subtract the frame height measurement, from the net opening's height measurement.
- Subtract the frame width measurement, from the net opening's width measurement.
- Divide each number in half. This is the amount of gap that will occur between the width of the frame and the net opening.

If the gap between the frame and net opening is greater than 1/8", shim the gap for a proper fit. Refer to Figure 6 for detailed view of Shim location.

1. Acquire sturdy, penetrable material, such as plywood. The thickness of the material should be wedge shaped or slightly less than the gap to be filled.
2. Measure the gap length (height or width of frame) and cut the shim material to 1/16" less than the measured length.
3. Install the shim using the same type of mounting hardware that will be used to install the frame. Be certain that the shim installation hardware will not interfere with the frame installation hardware.
4. If necessary, cut a second shim to the same length and install it in the opposite side of the net opening.
5. If the adjacent sides of the net opening need shimming, repeat the previous steps. Match the shim length to the frame sides of the net opening (less 1/16").

*Figure 29. Anthony Door and Frame Cross-Section*



## Frame Electrical Wiring Connections

The following instruction set will walk you through properly wiring electrical connections.



**Warning:** All frame wiring must be routed and secured to protect it from damage or being pulled loose.



**Warning – To reduce the risk of fire, electrical shock or injury observe the following:**

- Use this unit in the manner intended by the manufacturer.
- Turn power off before removing existing lighting system and follow appropriate lock out/tag out safety procedures



**Risk of Electrical Shock– Potential risk of Electrical Shock; pay close attention to instructions when performing this and any other associated tasks.**

1. Before connecting any wires to the remote power supply, ensure all electrical power circuits are turned off. Connect black (+), white (-) and green wires from the remote power supply to the line voltage (120-277 VAC) using NEC wiring and connectors. Secure the Remote Driver Enclosure with mounting screws per National Electrical Code (NEC).

**For Plastic Frame Remote Driver Enclosure Assembly – One Frame Setup Heater/Lights  
See Appendix-A, Figure A-1 for wiring diagram**

**For Plastic Frame Remote Driver Enclosure Assembly – One/Two/Three Frame Setup Heaters Only  
See Appendix-A, Figure A-2 for wiring diagram**

**For Plastic Remote Driver Enclosure Assembly – Two/Three Frame Lights  
See Appendix-A, Figure A-3 for wiring diagram**

**For Plastic Remote Driver Enclosure Assembly – AMS Lights Only – Up to 3 Frames  
See Appendix-A, Figure A-4 for wiring diagram**

2. Once the frames are installed, connect output “LIGHTS” wire from the remote power supply to the frame input wires labeled “LIGHTS”. Repeat for “HEATERS” to “HEATERS”.



**If more than one frame is in a series, connect the daisy-chain wire connectors between the frames; “LIGHTS” to “LIGHTS” and “HEATERS” to “HEATERS”. Each Remote Driver is 100 Watts maximum. Add up all frame and light wattage taken from the frame name plates. This value is not to exceed 100 Watts.**



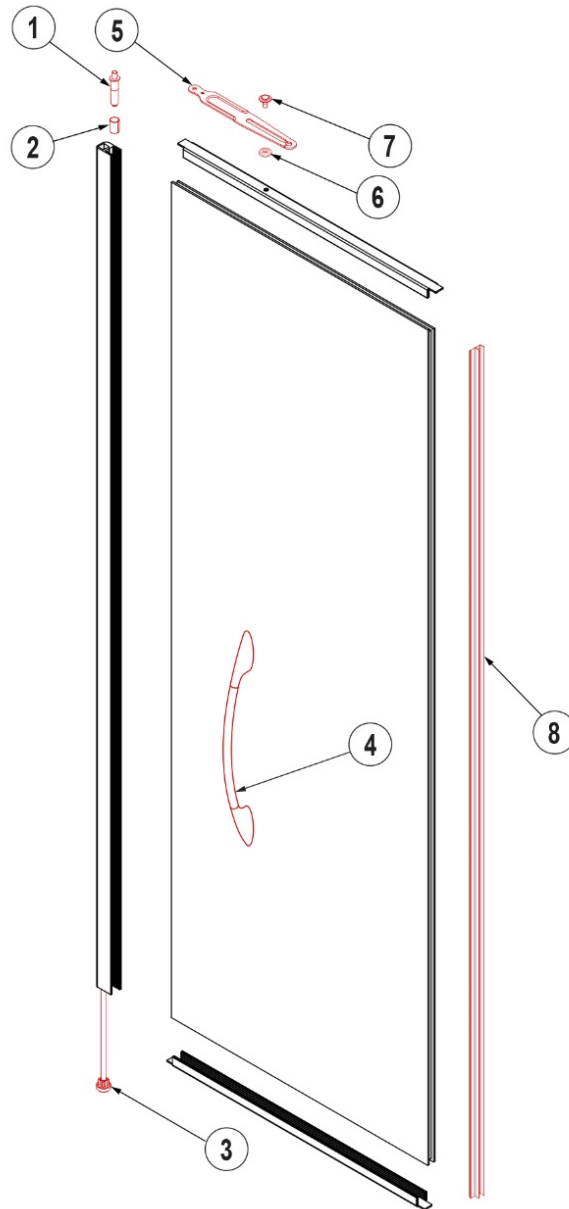
**Warning:** All frame wiring must be routed and secured to protect it from damage or being pulled loose.

**For Plastic Frame Remote Driver Enclosure Assembly – 3-Frame with Lights and Heat  
See Appendix-A, Figure A-5 for wiring diagram**



## Infinity 060 with Plastic Frame Door Assembly

Figure 30. Infinity 060 with Plastic Frame Door Assembly for Replacement Parts See Table 9 for part numbers



**Note:** Parts depicted in Red can be replaced, parts in Black are not replaceable

Table 9. Infinity 060 Plastic Door Replaceable Parts

Item #	Part #	Description
1	02-20547-0001	RPF RETRACTABLE HINGE PIN ASSY
2	40-17280-0001	VISTA TOP BUSHING
3	02-10308-000X	TORQUE ROD ASSY
4	02-17272-0001	VISTA DOOR ARCH HANDLE ASSY
5	15-14707-0001	CLOSED END HOLD OPEN FORK
6	40-15097-0001	HOLD OPEN DETENT SPACER
7	40-15096-0001	VISTA HOLD OPEN DETENT BOLT
8	20-21051-0000	VSER HANDLE DOOR RAIL W/FLAP

## Door Assembly Installation

The following instruction set will walk you through properly install the door onto the frame.



**Warning:** Exercise caution when handling the door.



**Protective Gloves**– Potential risk of injury to your hands, protective gloves required when performing this and any other associated tasks.

1. Hold the door on each side, with the handle facing forward. Lift the door and align the torque rod to insert into the TorqueMaster™ socket at the base of the frame.

Figure 31. Insert Torque Rod into Torquemaster



2. Engage the door with the retractable hinge pin inserted into the slide plate (retractable hinge pin) receptacle at the top of the frame. Push the door into the frame until the hinge pin snaps into place.
3. Insert the slide plate through the elongated slot in the frame.
4. Insert the mounting hex bolt into the frame mounting hole and tighten it, using a 7/16" open-end wrench.
5. Insert the hold open into the frame standoff and secure it in place with a mounting screw (provided).

*Figure 32. Installing door Hold-open*



**Warning:** *DO NOT over tighten the hold-open bolt. Verify that the hold-open does not bind while sliding along the hold-open bolt. Adjust as necessary.*

6. Set the door tension swing and correct the door alignment by adjusting the TorqueMaster. (See "TorqueMaster and SAG Adjustment")

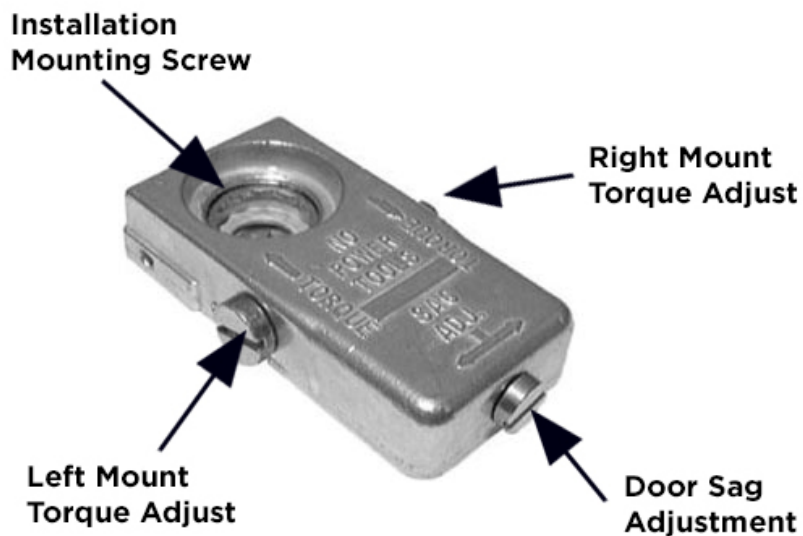
## Torquemaster and Sag Adjustment

The following instruction set will walk you through properly adjusting door location and door sag. In-depth video instructions available on our [YouTube Channel](#).



**Warning:** Exercise caution when handling the door and **DO NOT** use power tools when adjusting the TorqueMaster™.

Figure 33. Torquemaster



3. Use a flathead screwdriver to adjust the torque rod tension, by turning the outside screw on the TorqueMaster.
  - Turn counter-clockwise to increase tension.
  - Turn clockwise to decrease the tension.
  
4. Adjust the door sag to square the door in the frame by turning the screw that is marked SAG ADJ. (sag adjustment), on the end of the TorqueMaster, until the door is aligned square in opening.
  - Turn counter-clockwise to raise handle side of door.
  - Turn clockwise to lower the handle side of door.

## Door Assembly Removal

The following instruction set will walk you through properly removing door from frame.



**Warning:** Exercise caution when handling the door.

1. Release tension on the TorqueMaster with a flat-head screwdriver. Turn the TorqueMaster front facing screw clockwise, until the door does not automatically close from an open position.

*Figure 34. Release Torquemaster Tension*



2. Open the door to access the hold open device, then loosen and remove the hold-open detent bolt using a 7/16" hand wrench.

*Figure 35. Remove Hold Open Bolt*



3. Retract the door to a near-closed position.
4. Lift the door out of the TorqueMaster and disengage the loaded spring from its receptacle at the top of the door. Secure or lean the door on its side against a stable surface.

*Figure 36. Removing Door*



## Replacing the Handle Side Flap

The following instruction set will walk you through properly replacement of handle side flap.



**Warning:** Exercise caution when handling the door.



**Protective Gloves**– Potential risk of injury to your hands, protective gloves required when performing this and any other associated tasks.



**Protective Eyewear**– Potential risk of eye injuries, protective eyewear required when performing this and any other associated tasks.

1. Remove the old flap and make sure that all the glass is clean on the surface and of any excess sealant.

*Figure 37. Door rail preparation*



2. Apply silicone sealant on the new flap.



**Warning:** Insure to use silicone approved for use in commercial refrigeration applications which meets all requirements and guidelines.

*Figure 38. Silicone application*



3. Make sure that the silicone sealant bead is no wider than 3/8" in width and is applied from end to end of the door rail.
4. Remove the tape from the door rail. Place the door rail on the edge of the glass. Make sure the sealant should be against the edge of the Single glass unit and the side with tape on the back of the single glass unit.

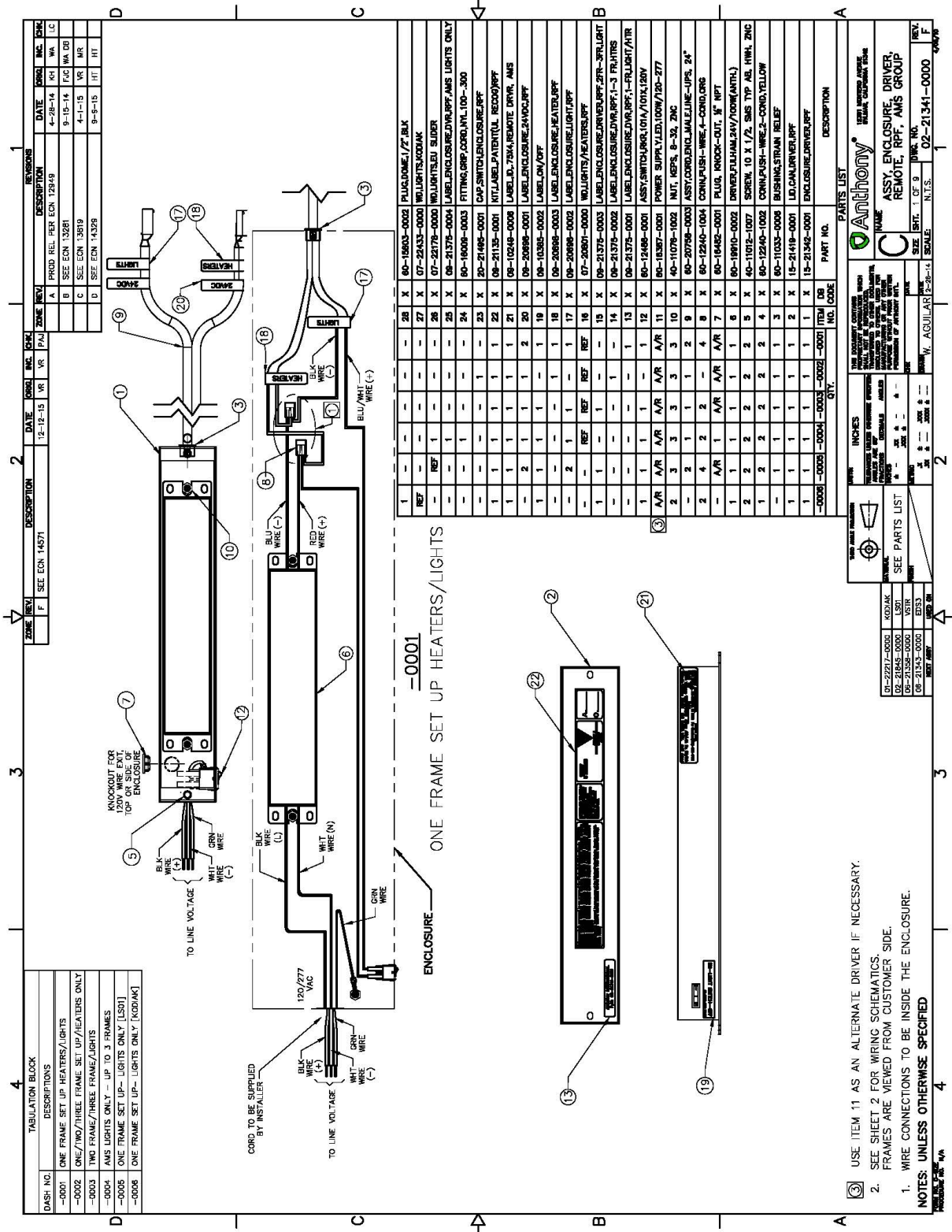
*Figure 39. Door rail and handle side flap installation*





# Appendix A

Figure A-1. Plastic Frame Remote Driver Enclosure Assembly – One Frame Setup Heater/Lights



XXXX

Figure A-2. Plastic Frame Remote Driver Enclosure Assembly – One/Two/Three Frame Setup Heaters Only

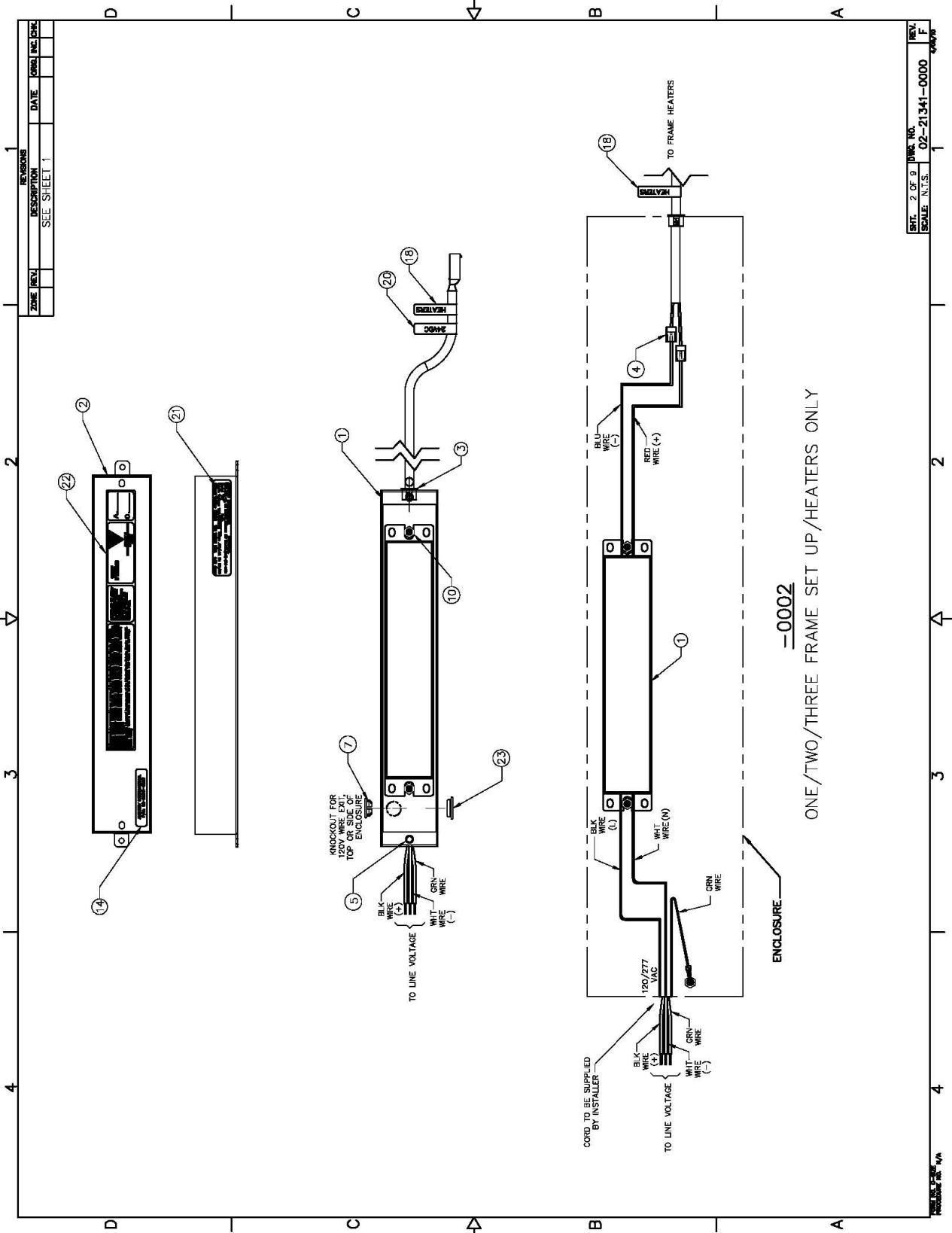


Figure A-3. For Plastic Frame Remote Driver Enclosure Assembly – Two/Three Frame Lights

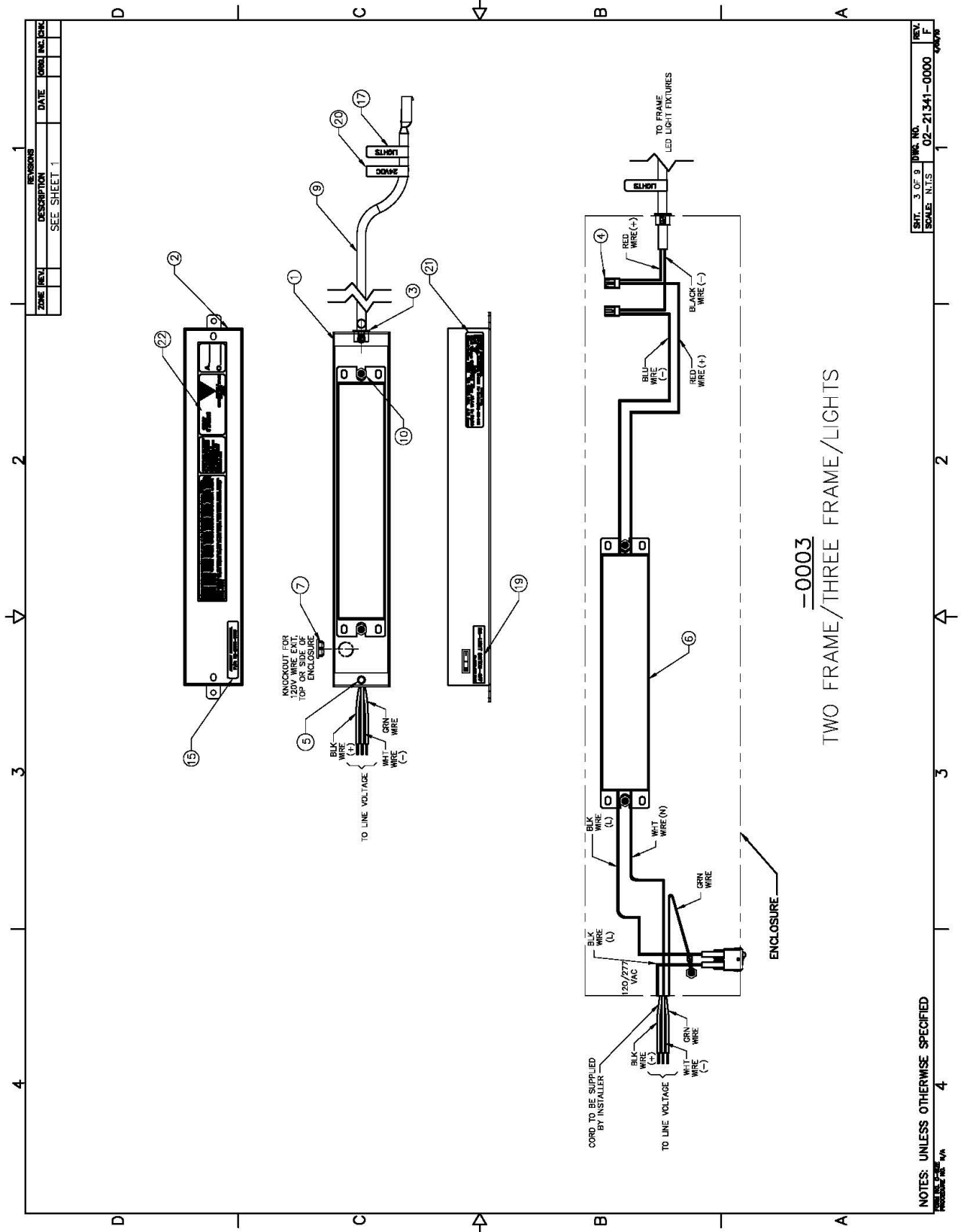


Figure A-4. For Plastic Frame Remote Driver Enclosure Assembly – AMS Lights Only – Up to Three Frame

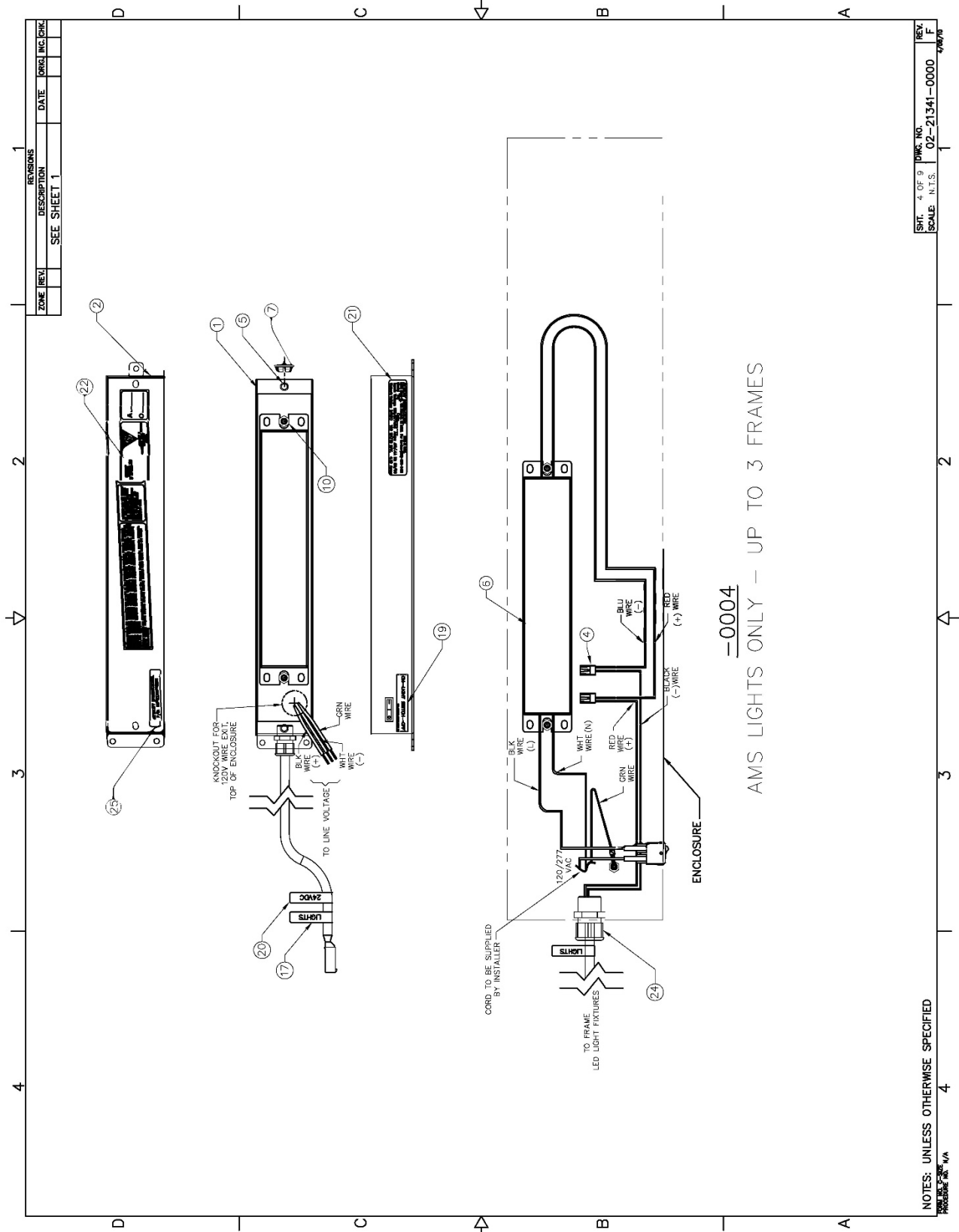
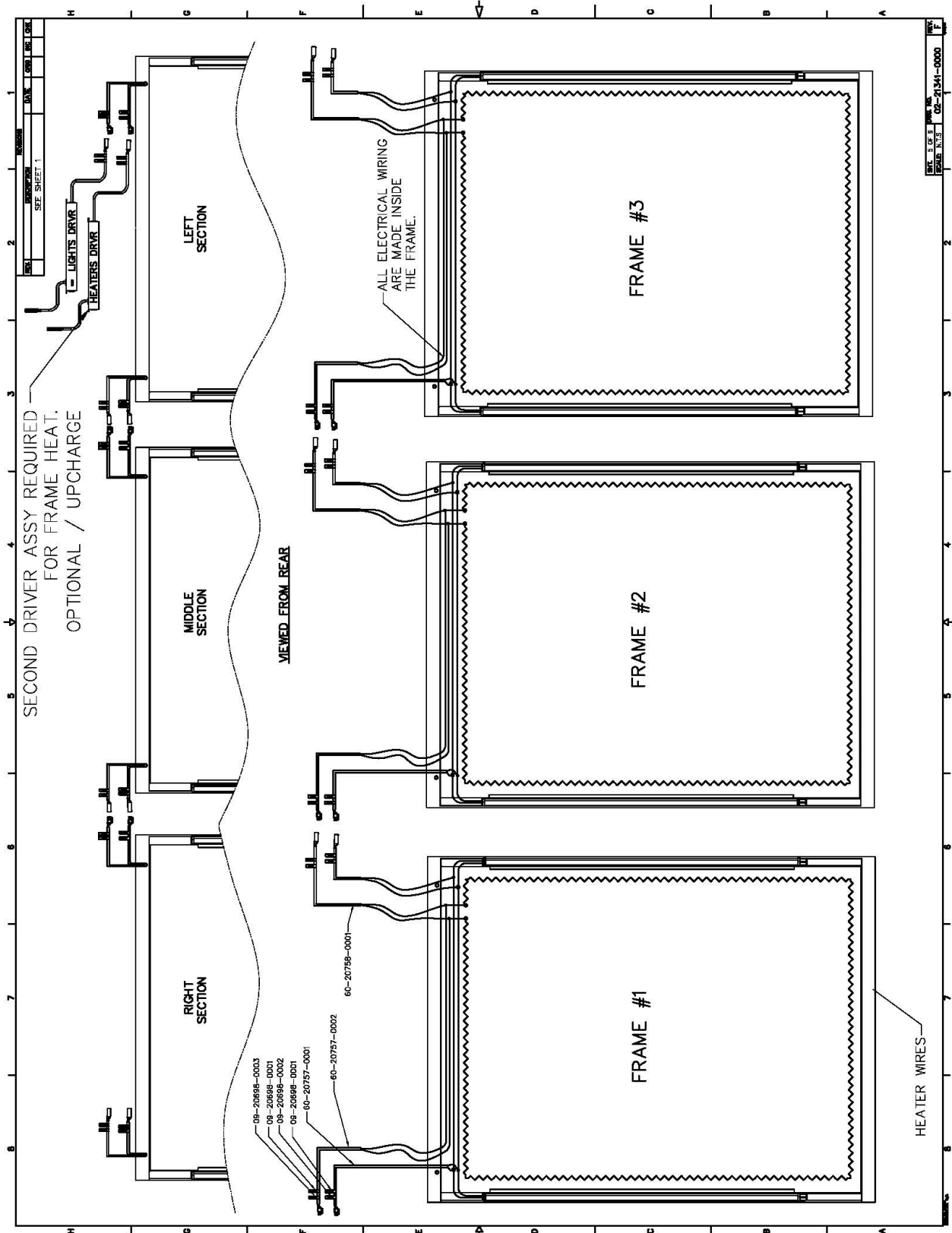


Figure A-5. For Plastic Frame Remote Driver Enclosure Assembly – 3-Frame with Lights and Heat



## Revision History

REV	ORGINATOR	DESCRIPTION OF CHANGE	DATE
A	ALFREDO MARTINEZ	INITIAL RELEASE	07/01/2016