

Wire Shelf LED Lights Installation Instructions

99-19668-I001

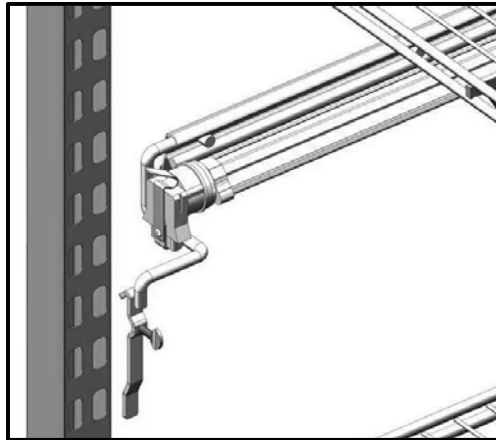
TITLE: Wire Shelf LED Lights Installation Instructions	INSTRUCTION NO. 99-19668-I001	REV. B
PROPRIETARY INFORMATION: The information contained herein is proprietary to ANTHONY, any reproduction in whole or in part, disclosure, or use of this document is expressly prohibited.	This document was printed on 04/16/13 01:38 PM	PAGE 1 OF 6

TABLE OF CONTENTS

1. LED Bracket Assembly Installation	3
2. Mounting the Driver Enclosure	4
3. LED Harness Installation	4
4. LED Connection	5
5. Light Orientation Adjustment	5
6. Final Adjustments	5
7. Revision History Page	6

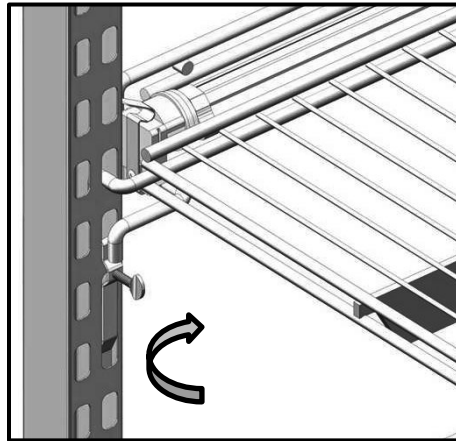
1. LED Bracket Assembly Installation

1. Attach LED/bracket assembly to post at the desired location.



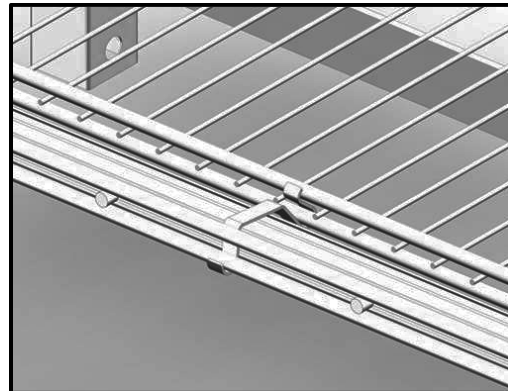
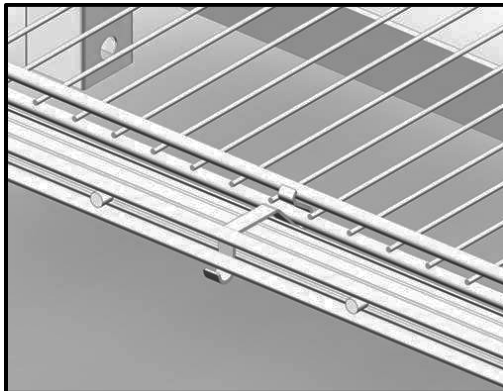
Attach LED/Bracket Assembly to Post

2. Turn thumb knobs clockwise to lock bracket in place at both ends and attach shelf to post right above LED/bracket assembly.



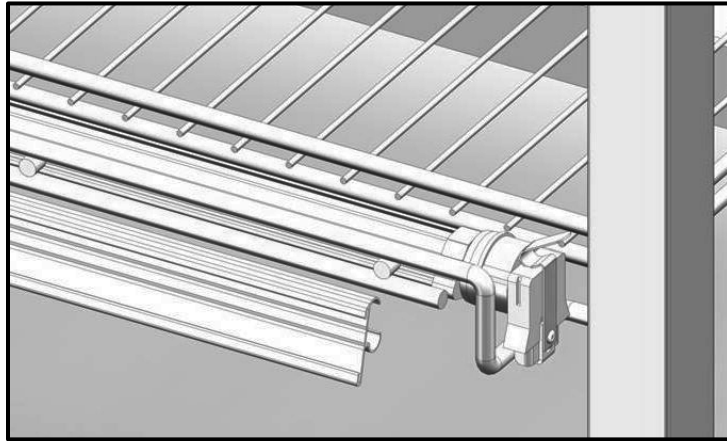
Lock Bracket and Attach Post

3. Install hooks approximately at the mid point of the shelf, starting on the shelf then snap the J-hook to the bottom rod of the bracket, creating a bridge between the shelf and LED bracket.



Install Hooks

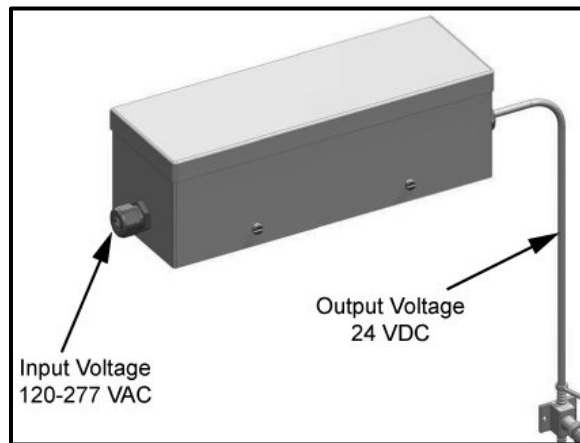
4. Attach price tag molding to the LED bracket.



Attach Price Tag Molding

2. Mounting the Driver Enclosure

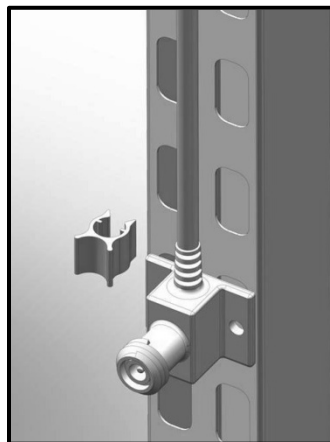
1. Mount the driver enclosure onto the case wall near the shelf post that will carry the harness.



Mount the Driver Enclosure

3. LED Harness Installation

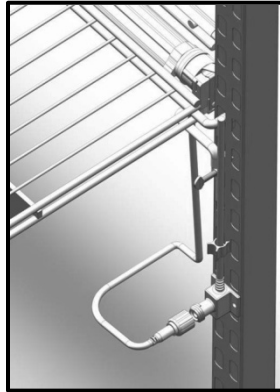
1. Attach the harness to the shelf post using retaining clips (supplied).



Install the LED Harness

4. LED Connection

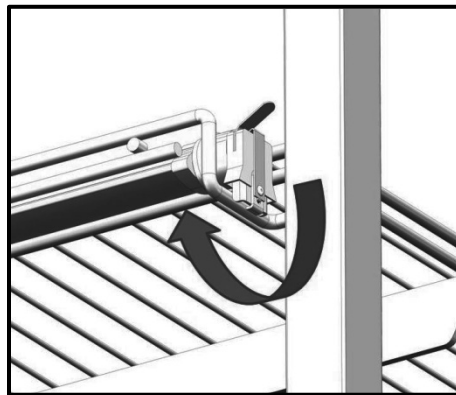
2. Connect the LED fixtures to the harness using the screw-on connectors from the LED cord (up to 6 shelves). Ensure that the LED cords are attached to shelf.



Connect the LED Fixture

5. Light Orientation Adjustment

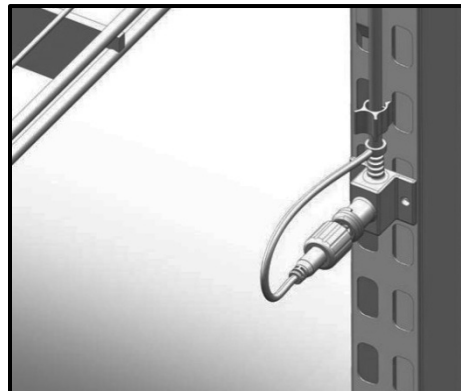
1. Rotate LED fixture as necessary for proper product illumination.



Adjust the Light Orientation

6. Final Adjustments

1. Plug all unused receptacles with the screw-on dummy connectors.



Plug Unused Receptacles

7. Revision History Page

REV	ORIGINATOR	DESCRIPTION OF CHANGE	EFFECTIVE DATE
A	S. Fisher	Prod Rel Per ECN 10820	10/18/2011
B	S. Fisher	Reformatted – Logo, Numbering, etc.	04/16/2013