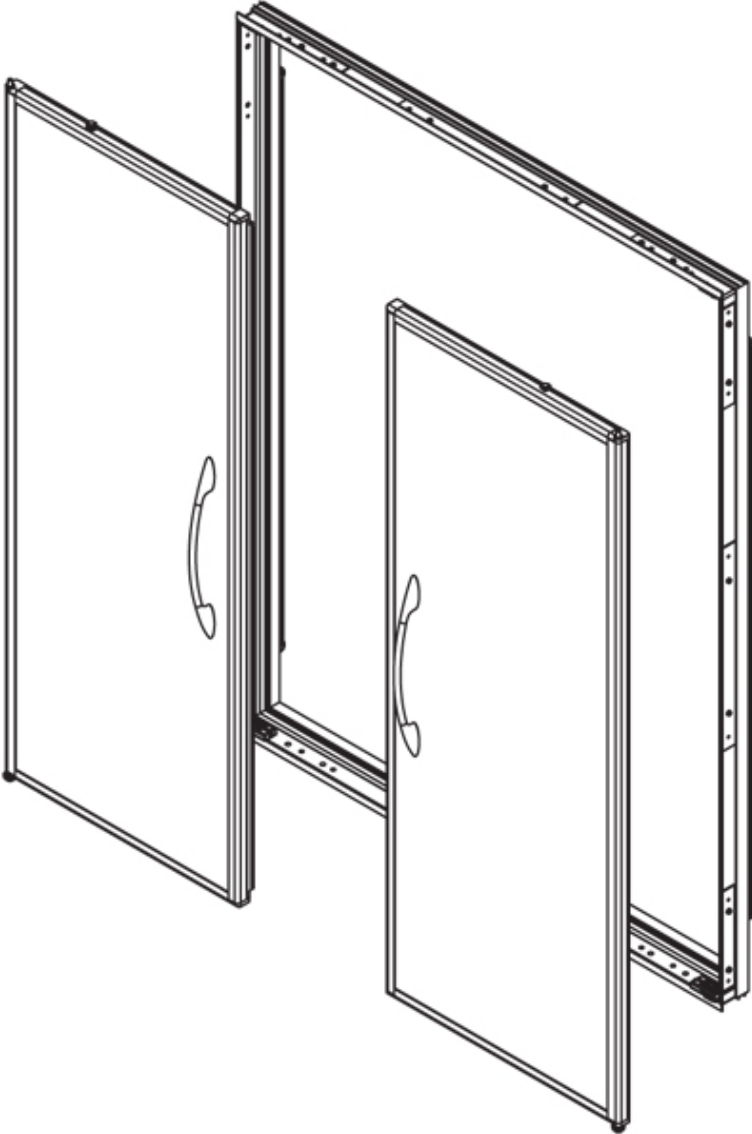


Installation Instructions



Vista R Door

99-21428-I001
April 2015

Design with Anthony



Anthony Locations

North America Locations

Sylmar, CA

Corporate Offices
12391 Montero Avenue
Sylmar, CA 91342
Phone : (818) 365-9451
Toll Free From :
United States : (800) 772-0900
Canada : (800) 336-8825
Fax : (818) 365-2441

Madison, GA

1101 Sovis Rd
Madison, GA 30650
Phone: (706) 342-9300
Fax: (706) 342-9303

Maitland, FL

Anthony Perception Group
555 Winderley Place, Suite 300
Maitland, FL 32751
Phone: (407) 571-6895
Fax: (818) 365-2441

Conyers, GA

709 Sigman Road NE
Conyers, GA 30013
Phone: (678) 607-3800
Fax: (678) 607-3700

International Location

Shanghai, China

No.280, Lane
928, Zhennan Road, Shanghai
China 200331
Phone: +86 216 284 8855
Fax: +86 216 284 9513

Safety and Warnings

FOR YOUR SAFETY

Read and observe all **CAUTIONS** and **WARNINGS** shown throughout these instructions.

While performing installations described; gloves, safety glasses or goggles should be worn.



Prepare Electrical Wiring

Risk of fire or electric shock. Install this kit only in luminaires that have the construction features shown in the photographs and/or drawings. Luminaires, wiring, or other electrical parts may be damaged when drilling for installation hardware. Check for enclosed wiring and components.

Only those open holes indicated in the photographs and/or drawings may be made or altered as a result of kit installation. Do not leave any other open holes in an enclosure of wiring or electrical components.

To prevent wiring damage or abrasion, do not expose wiring to edges of sheet metal or other sharp objects.

Remove and dispose of existing ballasts per any local or Federal guidelines.



BEFORE YOU BEGIN

INSTALLATION OF THIS ASSEMBLY REQUIRES A PERSON FAMILIAR WITH THE CONSTRUCTION AND OPERATION OF ELECTRICAL SYSTEMS AND THE HAZARDS INVOLVED. Read instructions completely and carefully.



WARNING:
TO REDUCE THE RISK OF FIRE, ELECTRICAL SHOCK OR INJURY, OBSERVE THE FOLLOWING:

1. Use this unit in the manner intended by the manufacturer.
2. Turn power off before removing existing lighting system and follow appropriate lock out/tag out safety procedures



For use inside a commercial refrigeration case with packaged foods only.

Vista R Door Installation Instructions

Preliminary Considerations for Door & Frame Servicing	5
Tools Required	5
Tips	5
Shimming	6
Frame Installation.....	6
Joining Multiple Frames	8
Frame Electrical Wiring Connections.....	9
Door Assembly Installation	11
TorqueMaster™ and SAG Adjustment	12
Door Assembly Removal	13
Vista R Service Parts.....	15
Frame Service Parts.....	15
Door Service Parts	17
Revision History	19

Vista R Door Installation Instructions

The installation of a Vista R Door requires installation of a new frame and door.

Preliminary Considerations for Door & Frame Servicing

Tools Required

#2 Phillips-head screwdriver	Flat-head screwdriver
Needle-nose pliers	Rubber or plastic mallet
7/16" & 1/2" hand wrench	5/32" hex key
Wire stripper and cutter	Soldering iron
Heat gun	Razor knife

Tips

- Complete replacement of wire assemblies is recommended whenever required. Splice wires only if necessary, using proper materials such as electrical tape, wire nuts, flux core solder and heat shrink.
- Apply liquid soap to rail plastic covers and gaskets upon installation, to facilitate insertion into mounting grooves.
- Keep doors and frames clean for product efficiency. This can also help reduce energy consumption and potential health hazards.
- Whenever binding gasket or plastic parts, use food grade silicone.
- Always use the correct tool for the job to be performed. This ensures proper installation and minimizes safety risks.
- If there is any doubt about the work to be performed, consult with a certified technician or Anthony representative.
- Preventive maintenance is recommended to ensure product longevity.

Read instructions completely before installing the frame.

- Clearance between the frame sill and the case bottom or floor is mandated by local building codes.
- Sill net opening must be at a minimum of two inches.
- Sill must be completely level.

Before installing the frame, confirm that the size of the net opening accommodates the finish frame. If the tolerances are too high, the net opening will have to be enlarged.

Check the size of the finished frame to the net opening.

- Subtract the frame height measurement, from the net opening's height measurement.
- Subtract the frame width measurement, from the net opening's width measurement.
- Divide each number in half. This is the amount of gap that will occur between the frame and the net opening.

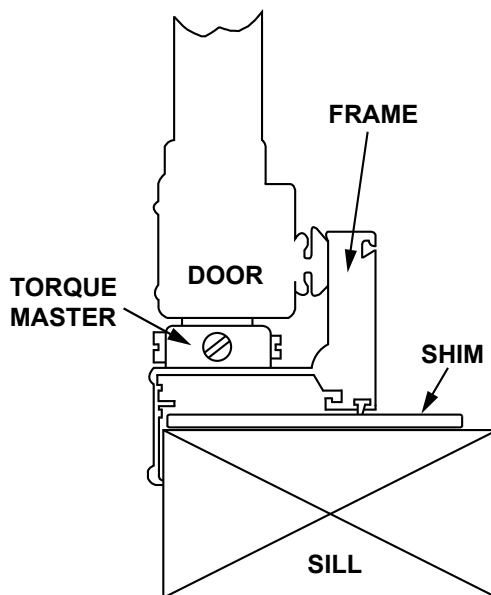
If gap between the frame and net opening is greater than 1/8", shim the gap for a proper fit.

Shimming

1. Acquire sturdy, penetrable material, such as plywood. The thickness of the material should be wedge shaped or slightly less than the gap to be filled.
2. Measure the gap length (height or width of frame) and cut the shim material to 1/16" less than the measured length.
3. Install the shim using the same type of mounting hardware that will be used to install the frame. Be certain that the shim installation hardware will not interfere with the frame installation hardware.
4. If necessary, cut a second shim to the same length and install it in the opposite side of the net opening.
5. If the adjacent sides of the net opening need shimming, repeat the previous steps. Match the shim length to the frame sides of the net opening (less 1/16").

Frame Installation

1. Verify openings conform to net openings listed in price book or original order.
2. Insert the finished frame assembly into the net opening. DO NOT force the frame if the fit is too tight.
3. Insert a mounting screw into a mounting hole in each corner of the frame and tighten each screw until it is approximately a quarter inch from flush.
4. Check the frame is aligned properly or square. Refer to "Frame Installation Reference".
 - Use a measuring tape to measure diagonally one corner to the opposite and note the distance.
 - Measure the distance between the remaining two corners.
 - Both measurements should be the same, within a 1/16" difference.
5. Confirm the frame and frame flanges are vertically aligned to the wall surface around the net opening.



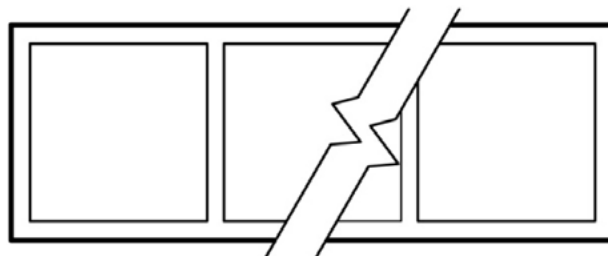
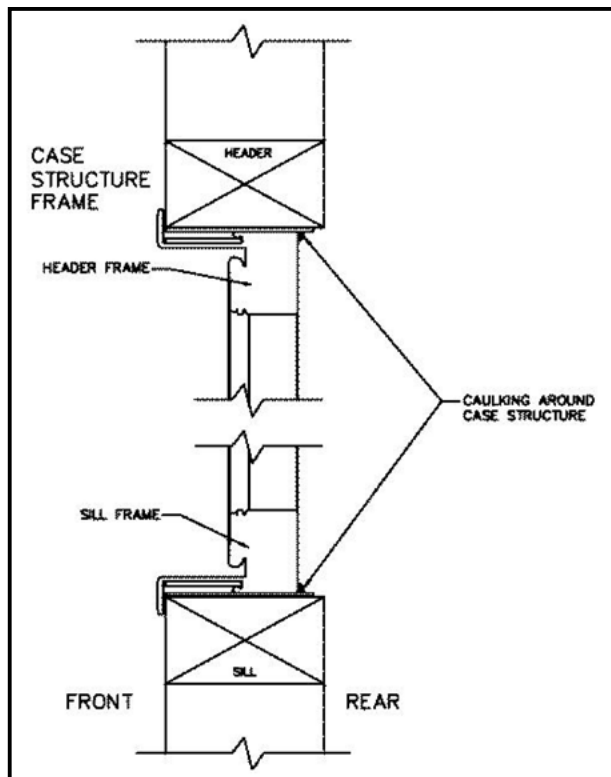
Anthony Door & Frame Cross-Section

6. Place a level on the top flange of the header frame to check if it is horizontally aligned.
7. If the top of the header frame sags or bows, correct as necessary.
8. When the frame is aligned, tighten all mounting screws securely until each is flush to the frame surface.

NOTE: DO NOT over-tighten the screws, as this can cause the frame to become out of square.

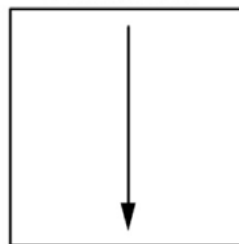
9. Check entire frame to ensure installation is correct.

NOTE: Use food grade silicone sealant (add caulking for larger gaps) to seal the gap between the frame and the surrounding wall, inside case, cooler or freezer. Not following these procedures can void Anthony's Service & Warranty on condensation and ice build-up issues.

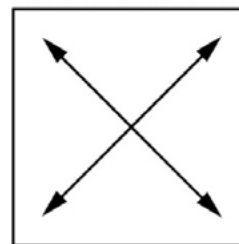


CAULKING - REAR VIEW
SEAL FRAME TO WALL MOUNT FROM REAR

PLUMB
VERTICALLY
CORRECT MOUNT



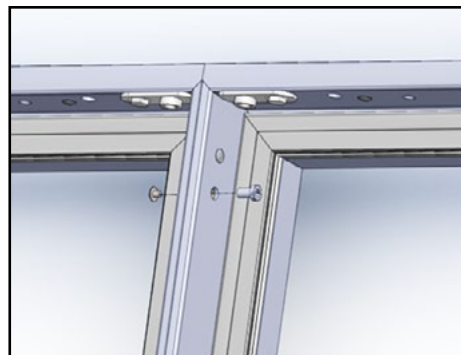
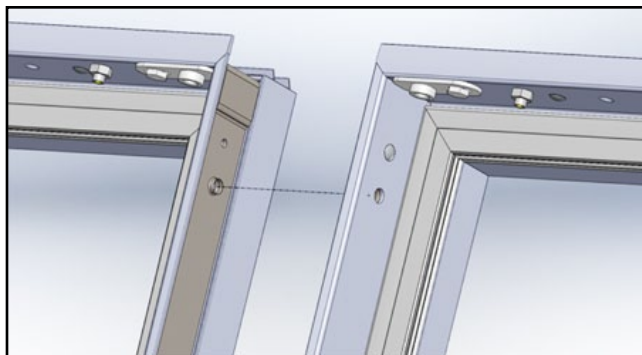
SQUARE
MEASURE DIAGONALLY
FROM CORNER TO CORNER



Frame Installation Reference

Joining Multiple Frames

1. Align both frames parallel to each other on the floor. Be sure the installation holes from the end jambs are properly aligned. Use a 7/32" [.219"] drill bit to further increase the openings of all the installation holes (if necessary).

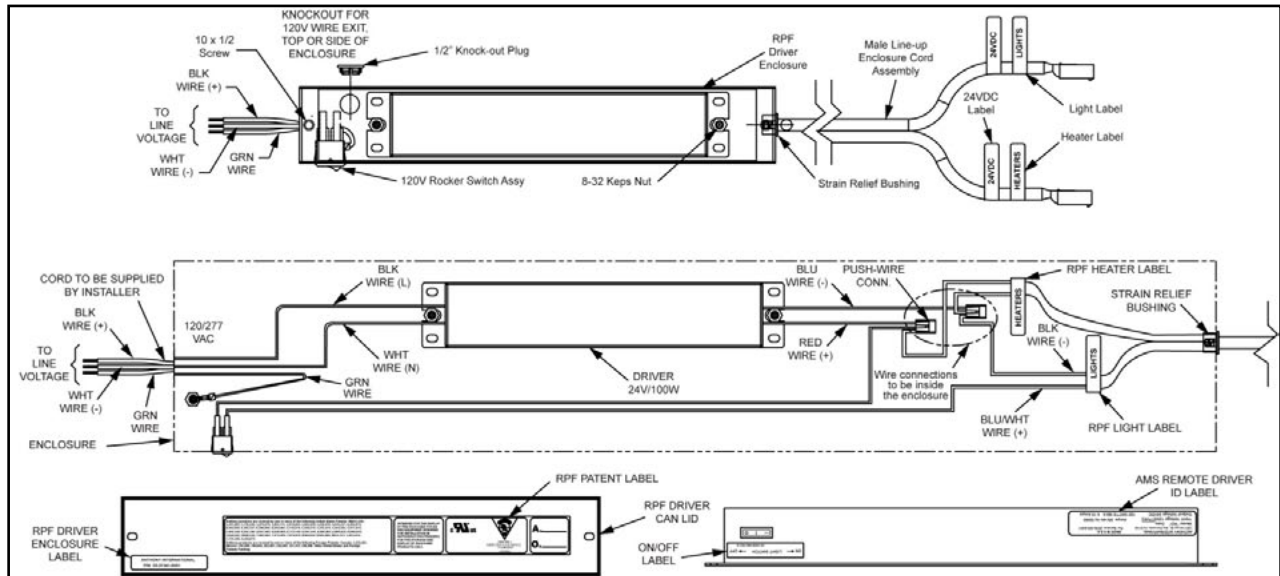


2. Insert binding posts (40-11131-3004) & screws (40-11065-3028) through installation holes as shown and tighten securely.

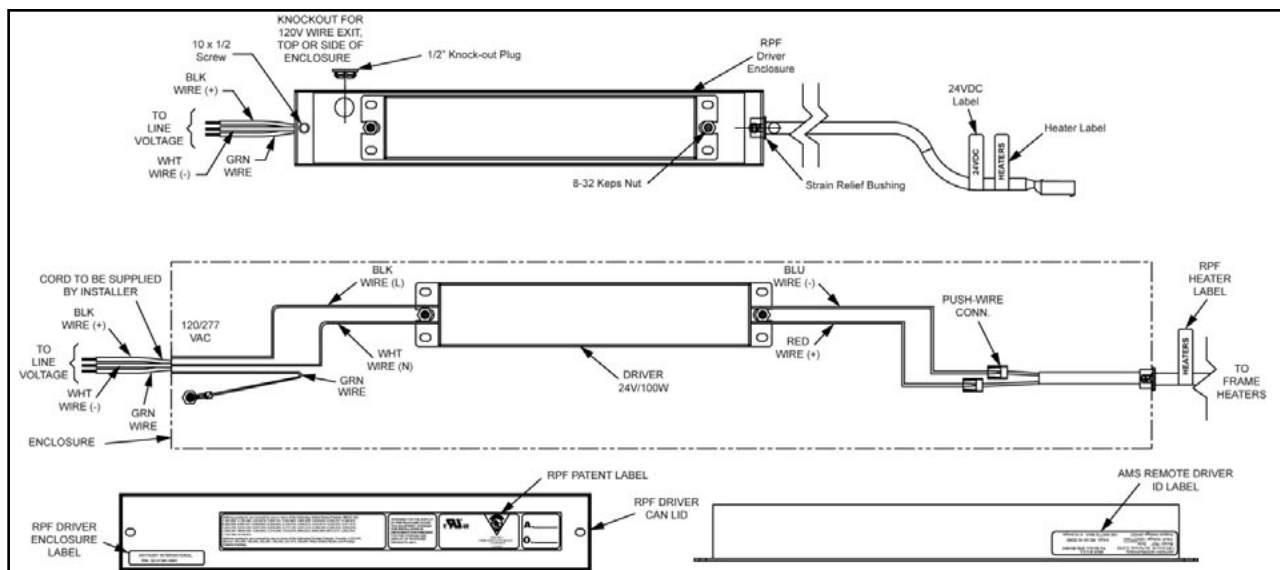
NOTE: Use flat head screw driver for this application.

Frame Electrical Wiring Connections

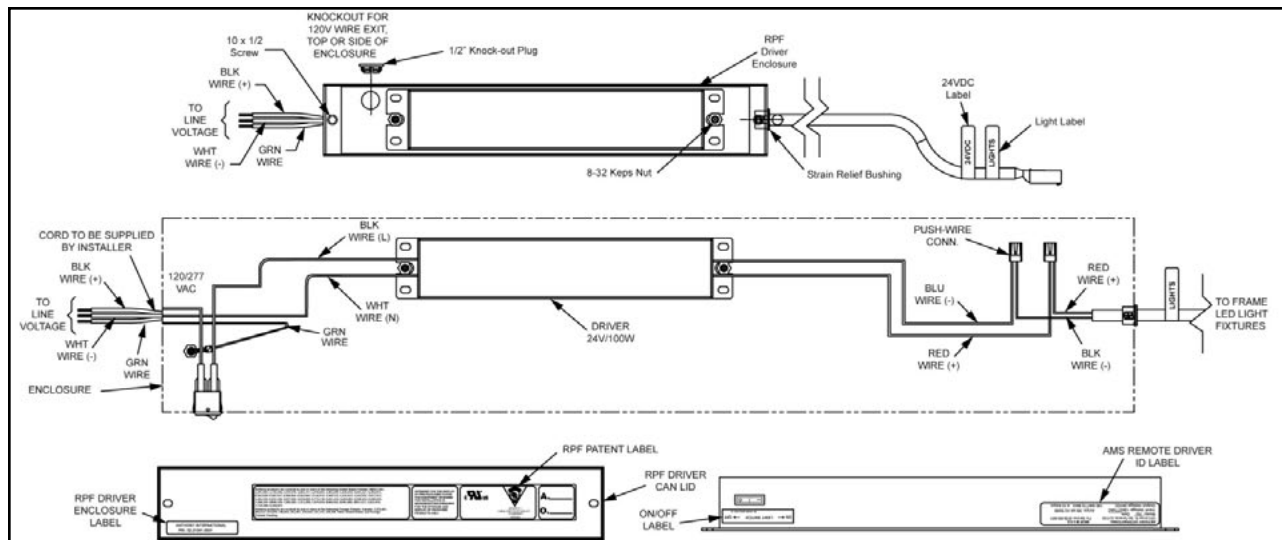
- Before connecting any wires to the remote power supply, ensure all electrical power circuits are turned off. Connect black (+), white (-) and green wires from the remote power supply to the line voltage (120-277 VAC) using NEC wiring and connectors. Secure the Remote Driver Enclosure with mounting screws per National Electrical Code (NEC).



RPF Remote Driver Enclosure Assembly (02-21341-0001) – One Frame Setup Heater/Lights



RPF Remote Driver Enclosure Assembly (02-21341-0002) – One/Two/Three Frame Setup Heaters Only

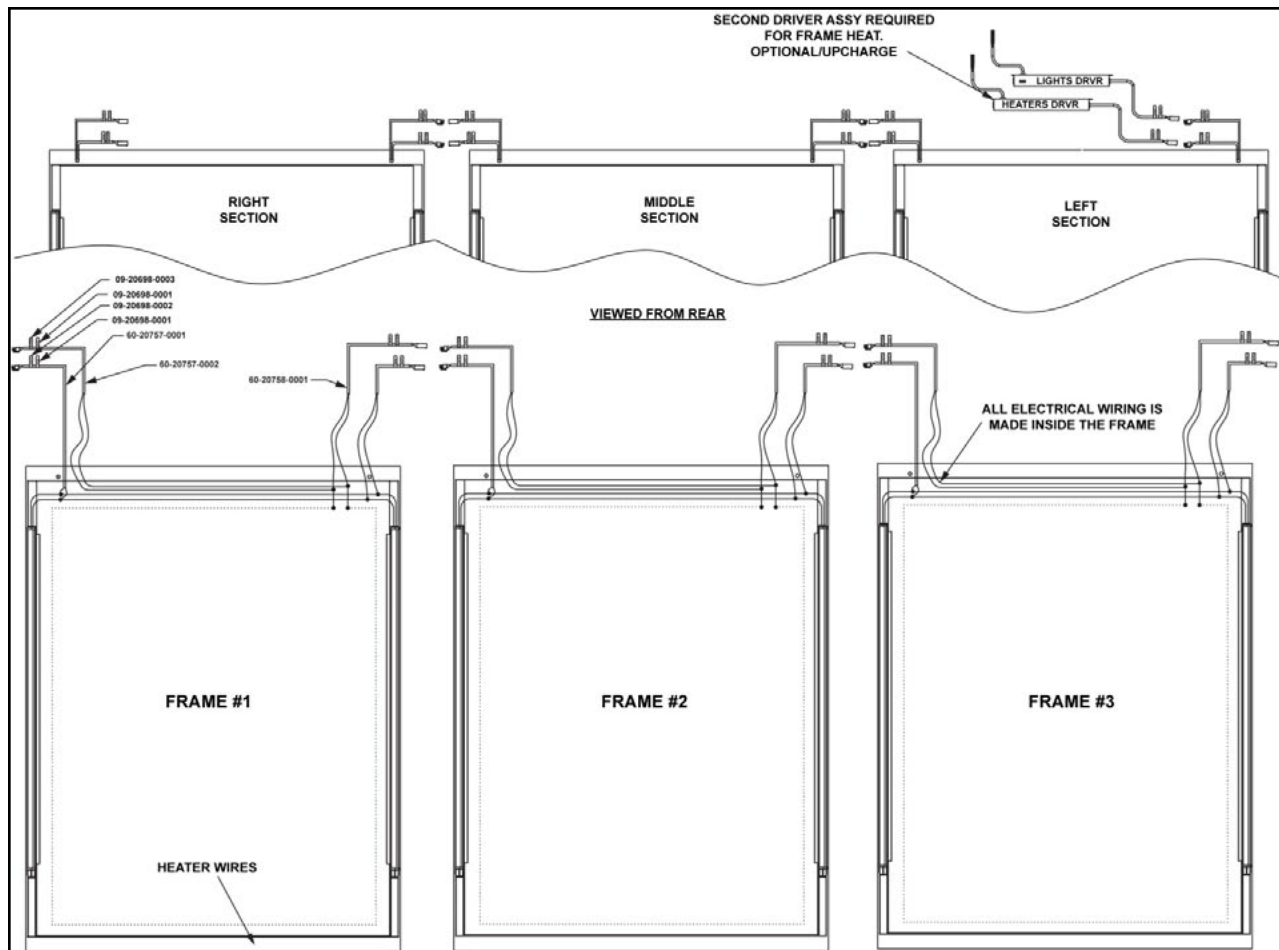


RPF Remote Driver Enclosure Assembly (02-21341-0003) – One/Two/Three Frame Lights

1. Once the frames are installed, connect output “LIGHTS” wire from the remote power supply to the frame input wires labeled “LIGHTS”. Repeat for “HEATERS” to “HEATERS”.

If more than one frame is in a series, connect the daisy-chain wire connectors between the frames; “LIGHTS” to “LIGHTS” and “HEATERS” to “HEATERS”. Each Remote Driver is 100 Watts maximum. Add up all frame and light wattage taken from the frame name plates. This value is not to exceed 100 Watts.

NOTE: All frame wiring must be routed and secured to protect it from damage or being pulled loose.



RPF Remote Driver Enclosure Assembly – 3-Frame with Lights and Heat

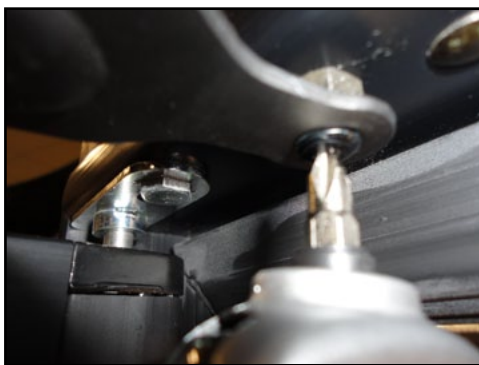
Door Assembly Installation

1. Hold the door on each side, with the handle facing forward. Lift the door and align the torque rod to insert into the TorqueMaster™ socket at the base of the frame.

NOTE: Exercise caution when handling the door.



2. Engage the door with the spring loaded hinge pin inserted into the receptacle at the top of the frame.
3. Insert the slide plate through the elongated slot in the frame.
4. Insert the mounting hex bolt into the frame mounting hole and tighten it, using a 7/16" open-end wrench.
5. Insert the hold open into the frame standoff and secure it in place with a mounting screw (provided).

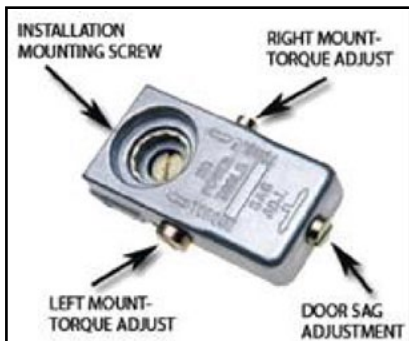


NOTE: DO NOT over tighten the bolt.

6. Set the door tension swing and correct the door alignment by adjusting the TorqueMaster. (See "TorqueMaster and SAG Adjustment". Refer to TorqueMaster Assembly figure.

TorqueMaster™ and SAG Adjustment

The TorqueMaster™ regulates the door alignment and the door closing tension.



1. Adjust the torque rod tension by using a flathead screwdriver to turn the outside screw on the TorqueMaster™.
 - Turn counter-clockwise to increase tension.
 - Turn clockwise to decrease the tension.

2. Adjust the door sag to square the door in the frame by turning the screw marked SAG ADJ. (sag adjustment) on the end of the TorqueMaster™ until the door is aligned square in the opening.
 - Turn counter-clockwise to raise handle side of door.
 - Turn clockwise to lower the handle side of door.

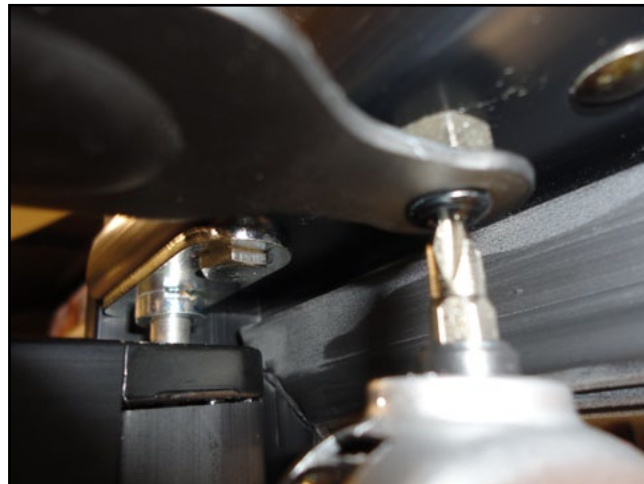
NOTE: DO NOT use power tools when adjusting the TorqueMaster™.

Door Assembly Removal

1. Release tension on the TorqueMaster with a flat-head screwdriver. Turn the TorqueMaster front facing screw clockwise, until the door does not automatically close from an open position.



2. Open the door to access the hold open device, then loosen and remove the hold-open detent bolt using a 7/16" hand wrench.

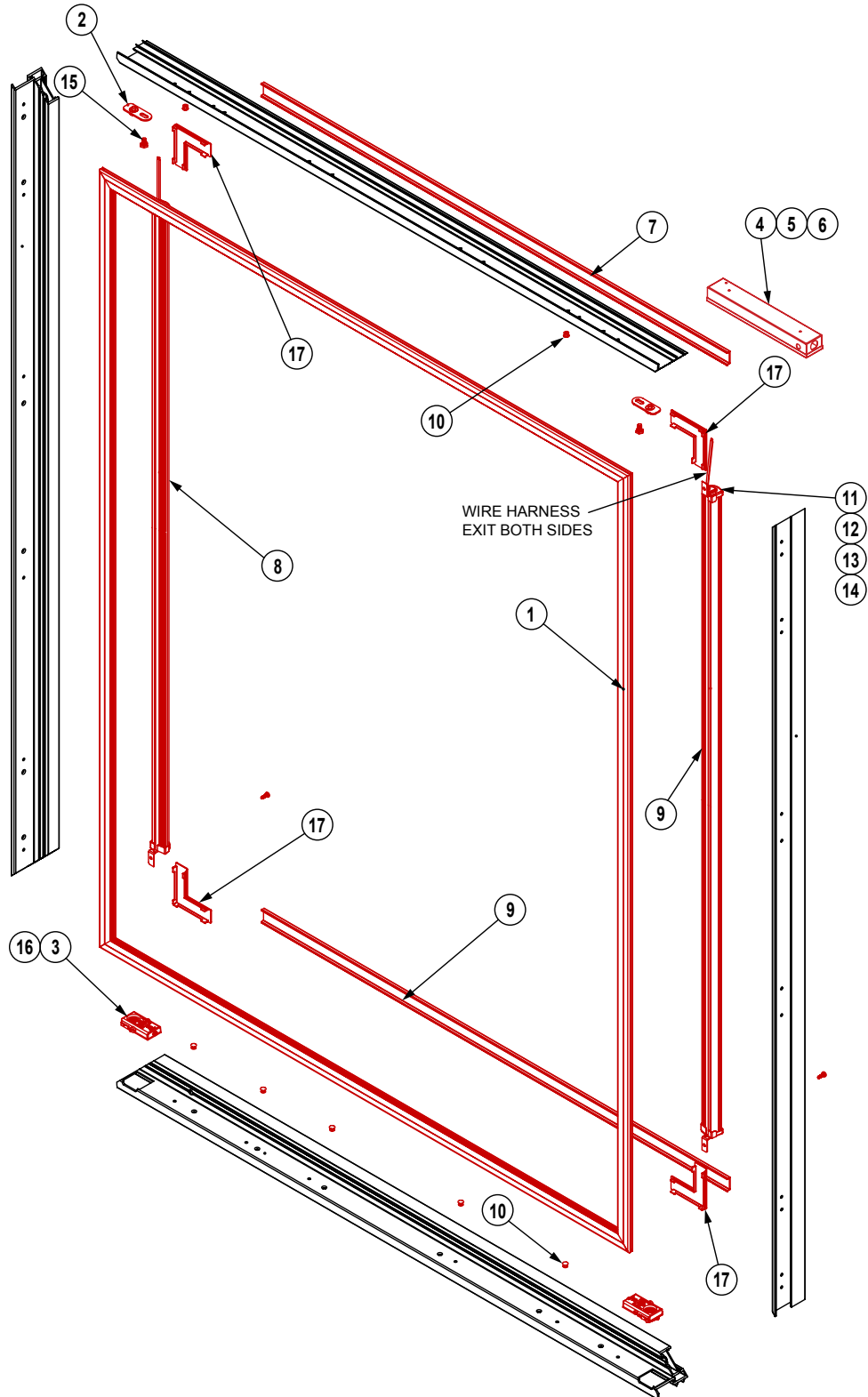


3. Retract the door to a near-closed position.

4. Lift the door out of the TorqueMaster and disengage the loaded spring from its receptacle at the top of the door. Secure or lean the door on its side against a stable surface.



Vista R Service Parts
Frame Service Parts

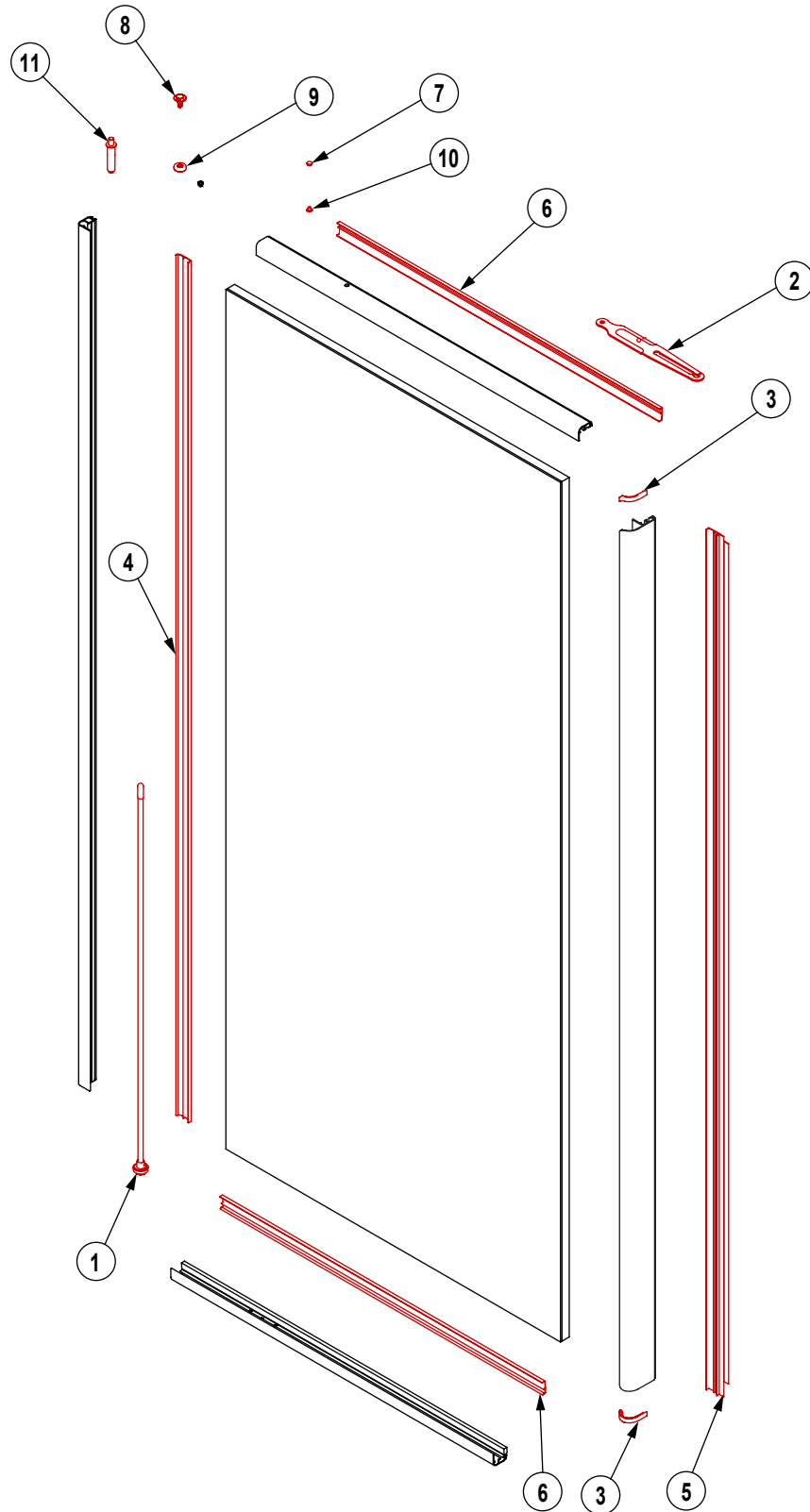


Vista R Frame

Vista R Frame Replaceable Parts

Item #	Part #	Description
1	02-21331-000X	Gasket & Magnet Assembly
2	02-20551-0001	Top Slide Plate Assembly
3	02-11484-0002	TorqueMaster Assembly
4	02-21341-0001	Remote Driver Enclosure Assembly
5	02-21341-0002	Remote Driver Enclosure Assembly
6	02-21341-0003	Remote Driver Enclosure Assembly
7	20-20095-XXXX	Header/Sill Rear Cap
8	60-20844-0001	Left End LED
9	60-20844-1001	Right End LED
10	40-11124-1004	Steel Rivet
11	60-20758-0001	Male Line-ups Enclosure Cord, 12"
12	60-20757-0001	Female Line-ups Enclosure Cord, 12"
13	60-20757-0002	Female Line-ups Enclosure Cord, 36"
14	60-20758-0002	Male Line-ups Enclosure Cord, 36"
15	40-20786-0000	RPF Hex Bolt
16	40-10998-1003	10-32 x 1/4" Screw
17	20-21054-0001	RPF Corner Cover

Door Service Parts



Vista R Door

Vista R Door Replaceable Parts

Item #	Part #	Description
1	02-18273-0003	Torque Rod Assembly
2	15-14707-0001	Closed End Hold Open Fork
3	20-18278-0000	Full Length Handle End Cap
4	20-18274-0000	Hinge Door Rail Cover
5	20-18276-0000	Handle Door Rail Cover
6	20-18163-0000	Header Door Rail Cover
7	20-12012-0001	Cap Plug, 1/4"
8	40-15086-0001	Hold Open Detent Bolt
9	40-15097-0001	Hold Open Detent Spacer
10	40-11248-0000	Full Contour PTH Screw, 8-32
11	02-20547-0000	210R Loaded Spring

Revision History

REV	ORIGINATOR	DESCRIPTION OF CHANGE	DATE
A	Pedro Almaguer	Initial Release	03/05/2015
B	Frank Carbajal	Hinge Pin Removal	04/30/2015