



Vista Elite™

99-16105-I004
November 2015

Vacuum Glass with Zero Energy

Anthony Locations

North America Locations

Sylmar, CA

Corporate Offices
12391 Montero Avenue
Sylmar, CA 91342
Phone : (818) 365-9451
Toll Free From :
United States : (800) 772-0900
Canada : (800) 336-8825
Fax : (818) 365-2441

Madison, GA

1101 Sovis Rd
Madison, GA 30650
Phone: (706) 342-9300
Fax: (706) 342-9303

Maitland, FL

Anthony Perception Group
555 Winderley Place, Suite 300
Maitland, FL 32751
Phone: (407) 571-6895
Fax: (818) 365-2441

Conyers, GA

709 Sigman Road NE
Conyers, GA 30013
Phone: (678) 607-3800
Fax: (678) 607-3700

International Location

Shanghai, China

No.280, Lane
928, Zhennan Road, Shanghai
China 200331
Phone: +86 216 284 8855
Fax: +86 216 284 9513

Safety and Warnings

FOR YOUR SAFETY

Read and observe all **CAUTIONS** and **WARNINGS** shown throughout these instructions.

While performing installations described; gloves, safety glasses or goggles should be worn.



Prepare Electrical Wiring

Risk of fire or electric shock. Install this kit only in luminaires that have the construction features shown in the photographs and/or drawings. Luminaires, wiring, or other electrical parts may be damaged when drilling for installation hardware. Check for enclosed wiring and components.

Only those open holes indicated in the photographs and/or drawings may be made or altered as a result of kit installation. Do not leave any other open holes in an enclosure of wiring or electrical components.

To prevent wiring damage or abrasion, do not expose wiring to edges of sheet metal or other sharp objects.

Remove and dispose of existing ballasts per any local or Federal guidelines.



BEFORE YOU BEGIN

INSTALLATION OF THIS ASSEMBLY REQUIRES A PERSON FAMILIAR WITH THE CONSTRUCTION AND OPERATION OF ELECTRICAL SYSTEMS AND THE HAZARDS INVOLVED. Read instructions completely and carefully.



WARNING:
TO REDUCE THE RISK OF FIRE, ELECTRICAL SHOCK OR INJURY, OBSERVE THE FOLLOWING:

1. Use this unit in the manner intended by the manufacturer.
2. Turn power off before removing existing lighting system and follow appropriate lock out/tag out safety procedures



For use inside a commercial refrigeration case with packaged foods only.

Vista Elite™ Installation

Preliminary Considerations for Door Servicing	5
Tools Required	5
Tips	5
Installation and Service Maintenance.....	6
Shimming	6
Frame Installation.....	7
Frame Electrical Wiring Connections.....	8
Door Assembly Installation	10
Door Assembly Removal	11
Torquemaster and SAG Adjustment.....	13
Revision History	14

Vista Elite™ Installation

The glass pack of the Vista Elite™ door is comprised of Heated glass.

Preliminary Considerations for Door Servicing

Tools Required

#2 Phillips-head screwdriver	Flat-head screwdriver
Needle-nose pliers	Rubber or plastic mallet
7/16" & 1/2" hand wrench	5/32" hex key
Wire stripper and cutter	Soldering iron
Heat gun	Razor knife

Tips

- Ensure that the door edge guards are in place when the doors are uncrated prior to installation.

WARNING:

Vista Elite™ edge guards must never be removed. Removal will cause damage to the door.

- Complete replacement of wire assemblies is recommended whenever required. Splice wires only if necessary, using proper materials such as electrical tape, wire nuts, flux core solder and heat shrink.
- Apply liquid soap to rail plastic covers and gaskets upon installation, to facilitate insertion into mounting grooves.
- Keep doors clean for product efficiency. This can also help reduce energy consumption and potential health hazards.
- Whenever binding gasket or plastic parts, use food grade silicone.
- Whenever replacing fluorescent lamps, always replace lamp covers as well.
- Always use the correct tool for the job to be performed. This ensures proper installation and minimizes safety risks.
- If there is any doubt about the work to be performed, consult with a certified technician or Anthony representative.
- Preventive maintenance is recommended to ensure product longevity.

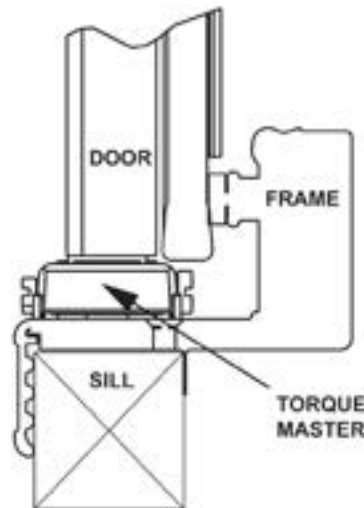
Installation and Service Maintenance

1. Read instructions completely before installing the frame.
 - Clearance between the frame sill and the case bottom or floor is mandated by local building codes.
 - Sill net opening must be at minimum of two inches in height.
 - Sill must be completely level.
2. Before installing the frame, confirm the size of the net opening accommodates the finished frame. If the tolerances are too high, the net opening will have to be enlarged. Check the size of the finished frame to the net opening.
 - Subtract the frame height measurement, from the net opening's height measurement.
 - Subtract the frame width measurement, from the net opening's width measurement.
 - Divide each number in half. This is the amount of gap that will occur between the frame and the net opening.
3. If the gap between the frame and the net opening is greater than 1/16", shim the gap for a proper fit.

Shimming

1. Acquire sturdy, penetrable material, such as plywood. The thickness of the material should be wedge shaped or slightly less than the gap to be filled.
2. Measure the gap length (height or width of frame) and cut the shim material to 1/16" less than the measured length.
3. Install the shim using the same type of mounting hardware that will be used to install the frame. Be certain that the shim installation hardware will not interfere with the frame installation hardware.
4. If necessary, cut a second shim to the same length and install it in the opposite side of the net opening.

5. If the adjacent sides of the net opening need shimming, repeat the previous steps. Match the shim length to the frame sides of the net opening (less 1/16”).



Anthony Door & Frame Cross-Section

Frame Installation

1. Verify openings conform to net openings listed in price book or original order.
2. Insert the finished frame assembly into the net opening. DO NOT force the frame if the fit is too tight.
3. Insert a mounting screw into a mounting hole in each corner of the frame and tighten each screw until it is approximately a quarter inch from flush.
4. Check the frame is aligned properly or square. Refer to “Frame Installation Reference”.
 - Use a 16-foot measuring tape to measure diagonally one corner to the opposite and note the distance.
 - Measure the distance between the remaining two corners.
 - Both measurements should be the same, within a 1/16” difference.
5. Confirm the frame and frame flanges are vertically aligned to the wall surface around the net opening.
6. Place a level on the top flange of the header frame to check if it is horizontally aligned.
7. If the top of the header frame sags or bows, correct as necessary.
8. When the frame is aligned, tighten all mounting screws securely until each is flush to the frame surface.

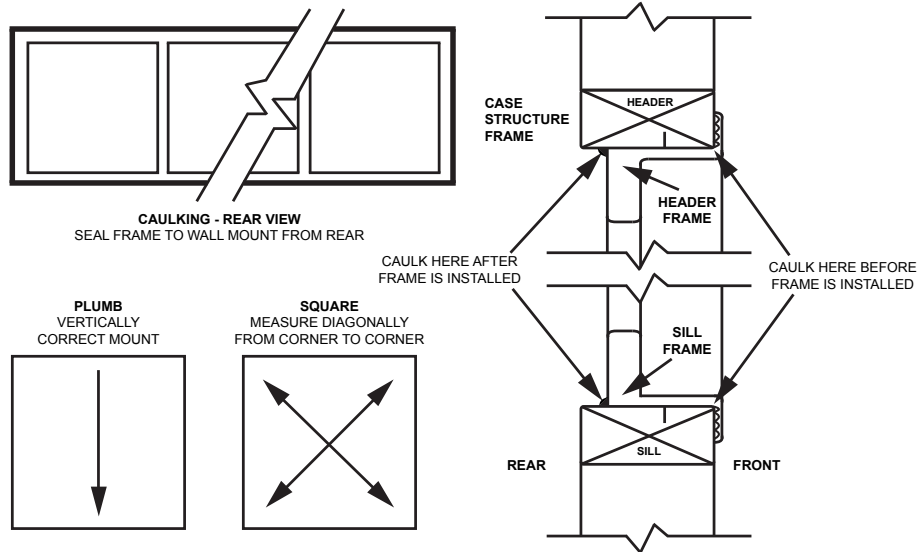
NOTE: DO NOT over-tighten the screws, as this can cause the frame to become out of square.

9. Check entire frame to ensure installation is correct.

NOTE: Use caulk and food grade silicone sealant to seal the gap between the frame and the surrounding wall, inside case, cooler or freezer.

Frame Electrical Wiring Connections

The seven individual wires extending from the flexible conduit atop the frame, provide electrical power to various frame functions. Refer to 'Wiring Diagram' for the wiring diagram label, affixed to the frame header.



Frame Installation Reference

Using wire connectors, these wires should be grouped by the HOT wires (Circuit wires), the NEUTRAL wires and the GROUND wire for connection to either the facility or the case power.

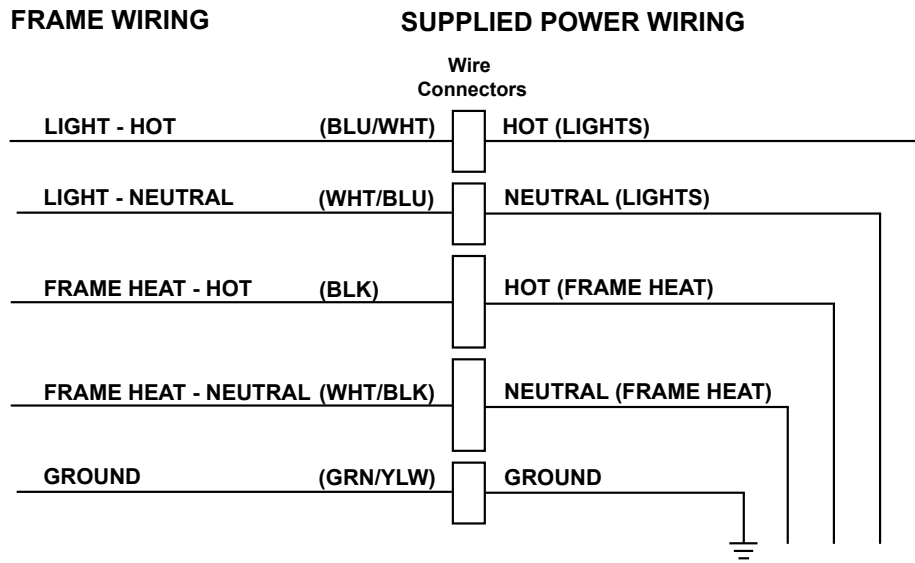
CONNECTION DIAGRAM – 100–120 V

BLUE/WHITE _____	LIGHT CIRCUIT
WHITE/BLUE _____	LIGHT NEUTRAL
RED _____	DOOR HEAT CIRCUIT
WHITE/RED _____	DOOR HEAT NEUTRAL
BLACK _____	FRAME HEAT CIRCUIT
WHITE/BLACK _____	FRAME HEAT NEUTRAL
GREEN/YELLOW _____	GROUND

CONNECTION DIAGRAM – 200–240 V

BROWN/YELLOW _____	LIGHT CIRCUIT LINE 1
BLUE/YELLOW _____	LIGHT NEUTRAL OR LINE 2
BROWN/RED _____	DOOR HEAT CIRCUIT LINE 1
BLUE/RED _____	DOOR HEAT NEUTRAL OR LINE 2
BROWN/ORANGE _____	FRAME HEAT CIRCUIT LINE 1
BLUE/ORANGE _____	FRAME HEAT NEUTRAL OR LINE 2
GREEN/YELLOW _____	GROUND

Wire Diagram Connection Label



Wiring Diagram

- Blue/White wire connects to the supplied Hot (or Lights Circuit Wire).
- White/Blue wire connects to the supplied Light neutral wire.
- Red and Black wires connect to the supplied Hot (or Frame Heater Circuit Wire).
- White/Red and White/Black wires connect to the supplied neutral wire for Frame Circuit.
- Green/Yellow wire connects to the supplied ground wire

NOTE: Wiring for lights should have a separate circuit from the frame heater wiring circuit.

Door Assembly Installation

1. Hold the door on each side, with the handle facing forward. Lift the door, and align the torque rod to insert into the torquemaster socket at the base of the frame.



2. Engage the door with the hinge pin inserted into the Gib (hinge pin plug) receptacle at the top of the frame. Push the door into the frame until the hinge pin snaps in place.



3. Insert the hold-open screw through the hold-open standoff pivot hole.
4. Insert the screw into the frame standoff and tighten with a Phillips screwdriver.



5. Set the door tension swing and correct the door alignment by adjusting the torquemaster (see 'Torquemaster and SAG Adjustment').

NOTE: Exercise caution when handling the door.

NOTE: DO NOT use power tools when adjusting the torquemaster.

NOTE: DO NOT over-tighten the hold-open bolt. Verify that the hold-open does not bind while sliding along the hold-open bolt. Adjust as necessary.

NOTE: Make sure that the hold-open is properly greased to allow for smooth operation.

WARNING:

Vista Elite™ edge guards must never be removed. Removal will cause damage to the door.

Door Assembly Removal

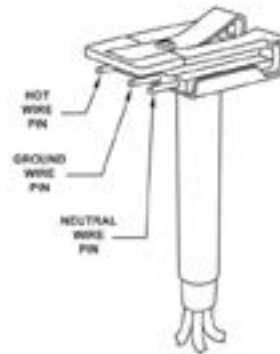


1. Release tension on the torquemaster with a flat-head screwdriver. Turn the torquemaster front-facing screw clockwise, until the door does not automatically close from an open position.
2. Open the door to access the hold-open device and remove the screw from the hold open with a Phillips screwdriver.



3. Retract the door to a near-closed position.

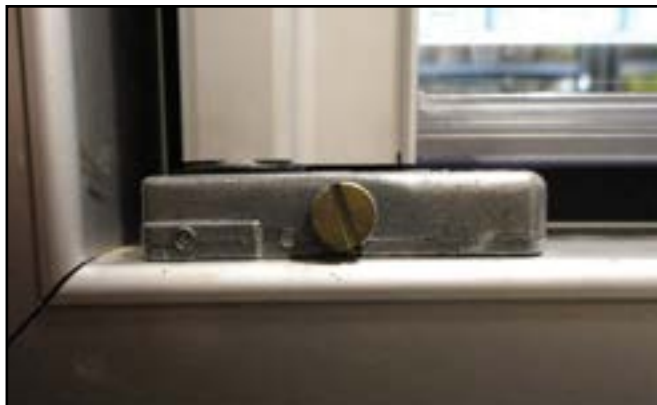
4. Remove the hinge pin plug from the frame by inserting the top half of needle-nose pliers into the spring clip grip hole and the bottom half beneath the hinge pin shroud.



5. Compress the pliers to clamp down on the hinge pin spring clip, then simultaneously pull the hinge pin away from the frame and pull the door top out.



6. Lift the door out of the torquemaster. Secure or lean the door on its side against a stable surface.



Torquemaster and SAG Adjustment

The torquemaster regulates the door alignment and the door closing tension.



1. Use a flathead screwdriver to adjust the torque rod tension, by turning the outside screw on the torquemaster.
 - Turn counter-clockwise to increase tension.
 - Turn clockwise to decrease the tension.
2. Adjust the door sag to square the door in the frame by turning the screw that is marked SAG ADJ. (sag adjustment), on the end of the torquemaster, until the door is aligned square in opening.
 - Turn counter-clockwise to raise handle side of door.
 - Turn clockwise to lower the handle side of door.

NOTE: DO NOT use power tools when adjusting the torquemaster.

Revision History

REV	ORIGINATOR	DESCRIPTION OF CHANGE	DATE
A	Sam Fisher	Initial Release	11/09/2015