

# Installation Instructions



## Vista D/Vista E Door

99-22062-I001  
April 2015

Design with Anthony



# Anthony Locations

## North America Locations

### Sylmar, CA

Corporate Offices  
12391 Montero Avenue  
Sylmar, CA 91342  
Phone : (818) 365-9451  
Toll Free From :  
United States : (800) 772-0900  
Canada : (800) 336-8825  
Fax : (818) 365-2441

### Madison, GA

1101 Sovis Rd  
Madison, GA 30650  
Phone: (706) 342-9300  
Fax: (706) 342-9303

### Maitland, FL

Anthony Perception Group  
555 Winderley Place, Suite 300  
Maitland, FL 32751  
Phone: (407) 571-6895  
Fax: (818) 365-2441

### Conyers, GA

709 Sigman Road NE  
Conyers, GA 30013  
Phone: (678) 607-3800  
Fax: (678) 607-3700

## International Location

### Shanghai, China

No.280, Lane  
928, Zhennan Road, Shanghai  
China 200331  
Phone: +86 216 284 8855  
Fax: +86 216 284 9513

# Safety and Warnings

## FOR YOUR SAFETY

Read and observe all **CAUTIONS** and **WARNINGS** shown throughout these instructions.

While performing installations described; gloves, safety glasses or goggles should be worn.



### Prepare Electrical Wiring

**Risk of fire or electric shock.** Install this kit only in luminaires that have the construction features shown in the photographs and/or drawings. Luminaires, wiring, or other electrical parts may be damaged when drilling for installation hardware. Check for enclosed wiring and components.

Only those open holes indicated in the photographs and/or drawings may be made or altered as a result of kit installation. Do not leave any other open holes in an enclosure of wiring or electrical components.

To prevent wiring damage or abrasion, do not expose wiring to edges of sheet metal or other sharp objects.

Remove and dispose of existing ballasts per any local or Federal guidelines.



### BEFORE YOU BEGIN

**INSTALLATION OF THIS ASSEMBLY REQUIRES A PERSON FAMILIAR WITH THE CONSTRUCTION AND OPERATION OF ELECTRICAL SYSTEMS AND THE HAZARDS INVOLVED.** Read instructions completely and carefully.



**WARNING:**  
**TO REDUCE THE RISK OF FIRE, ELECTRICAL SHOCK OR INJURY, OBSERVE THE FOLLOWING:**

1. Use this unit in the manner intended by the manufacturer.
2. Turn power off before removing existing lighting system and follow appropriate lock out/tag out safety procedures



For use inside a commercial refrigeration case with packaged foods only.

## Vista D/Vista E Door Installation Instructions

<b>Preliminary Considerations for Door &amp; Frame Servicing .....</b>	<b>5</b>
Tools Required .....	5
Tips .....	5
<b>Frame Installation, Service &amp; Maintenance.....</b>	<b>6</b>
Shimming .....	11
Frame Installation.....	11
Sealing the Frame .....	12
Frame Electrical Wiring Connections.....	13
<b>Door Installation - Vista D Door .....</b>	<b>14</b>
<b>Door Installation - Vista E Door.....</b>	<b>15</b>
Door Assembly Installation .....	16
Door Assembly Removal .....	17
Torquemaster and Sag Adjustment.....	19
Replacing the Vista E Door Model Handle Side Flap.....	20
Removing and Replacing the Vista D Door Rail Plastic Cover .....	22
<b>Revision History .....</b>	<b>24</b>

## Vista D/Vista E Door Installation Instructions

The installation of a Vista D or Vista E Door requires installation of a new frame and door.

### Preliminary Considerations for Door & Frame Servicing

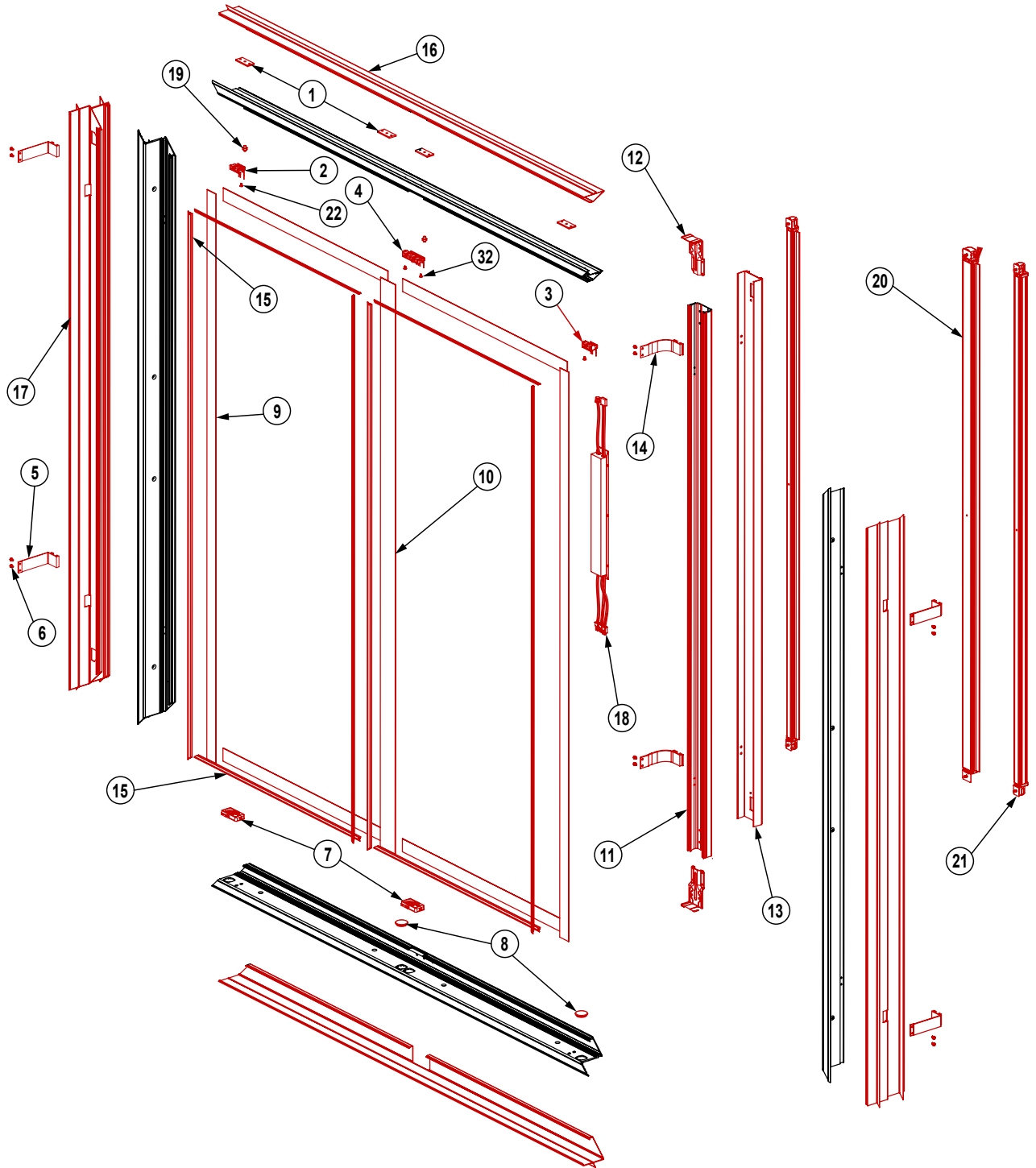
#### Tools Required

#2 Phillips-head screwdriver	Flat-head screwdriver
Needle-nose pliers	Rubber or plastic mallet
7/16" & 1/2" hand wrench	5/32" hex key
Wire stripper and cutter	Soldering iron
Heat gun	Razor knife

#### Tips

- Complete replacement of wire assemblies is recommended whenever required. Splice wires only if necessary, using proper materials such as electrical tape, wire nuts, flux core solder and heat shrink.
- Apply liquid soap to rail plastic covers and gaskets upon installation, to facilitate insertion into mounting grooves.
- Keep doors and frames clean for product efficiency. This can also help reduce energy consumption and potential health hazards.
- Whenever binding gasket or plastic parts, use food grade silicone.
- Always use the correct tool for the job to be performed. This ensures proper installation and minimizes safety risks.
- If there is any doubt about the work to be performed, consult with a certified technician or Anthony representative.
- Preventative maintenance is recommended to ensure product longevity.

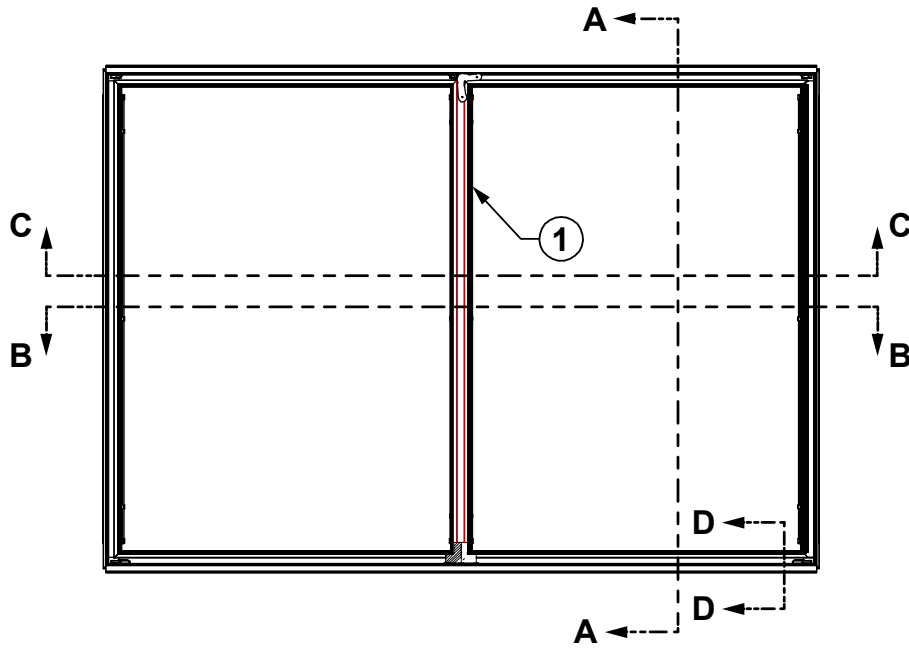
## Frame Installation, Service & Maintenance



Vista D/Vista E Frame

*Vista D/Vista E Frame Replacement Parts*

<b>Item #</b>	<b>Part #</b>	<b>Description</b>
1	15-10806-0001	Hold Open Backing Plate
2	60-12376-0001	Left Single Station Socket Connection, Black
3	60-12376-0002	Right Single Station Socket Connection, Black
4	60-12377-0001	Dual Station Socket Connection
5	11-12868-0001	End Mullion Post Bracket
6	40-13723-1004	1/4ACF HWH Tap Screw, 10-24 x 5/16
7	02-10568-0001	TorqueMaster Assembly
8	20-12754-0001	TorqueMaster Plug Cap
9	15-15250-X0XX	End Plate
10	15-15250-20XX	2.515 Center Plate
11	11-16429-F100	Center Mullion
12	15-16435-0001	Front Load Mullion Bracket
13	20-12640-0000	Mullion Cover
14	11-10602-0001	1-1/4" Center Mullion Post Bracket
15	20-20109-10XX	Frame & Mullion Retainer
16	20-12512-0000	Frame Perimeter w/o Raceway Cover
17	20-12671-0000	End Perimeter Cover
18	60-19910-0002	LED Driver, 24V/100W
19	40-14616-0001	Hold Open Pivot Standoff
20	60-18898-0001	60" Center LED Assy, 4000K
21	60-18899-0001	60" Left End LED Assy, 4000K
22	40-12822-1003	TapII PPH Screw, 8-32 x 1/4, Zinc

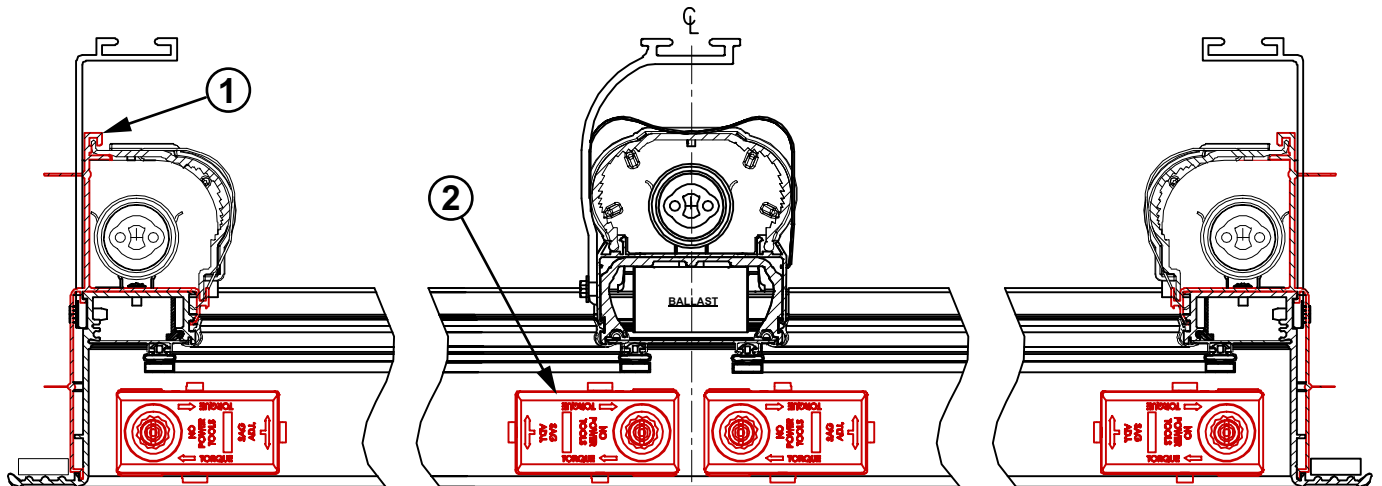


Vista D/Vista E Frame

Vista D/Vista E Frame Replaceable Parts

Item #	Part #	Description
1	02-15842-0000	Front Load Center Mullion Assy

**NOTE: SECTION A-A has no replaceable parts.**

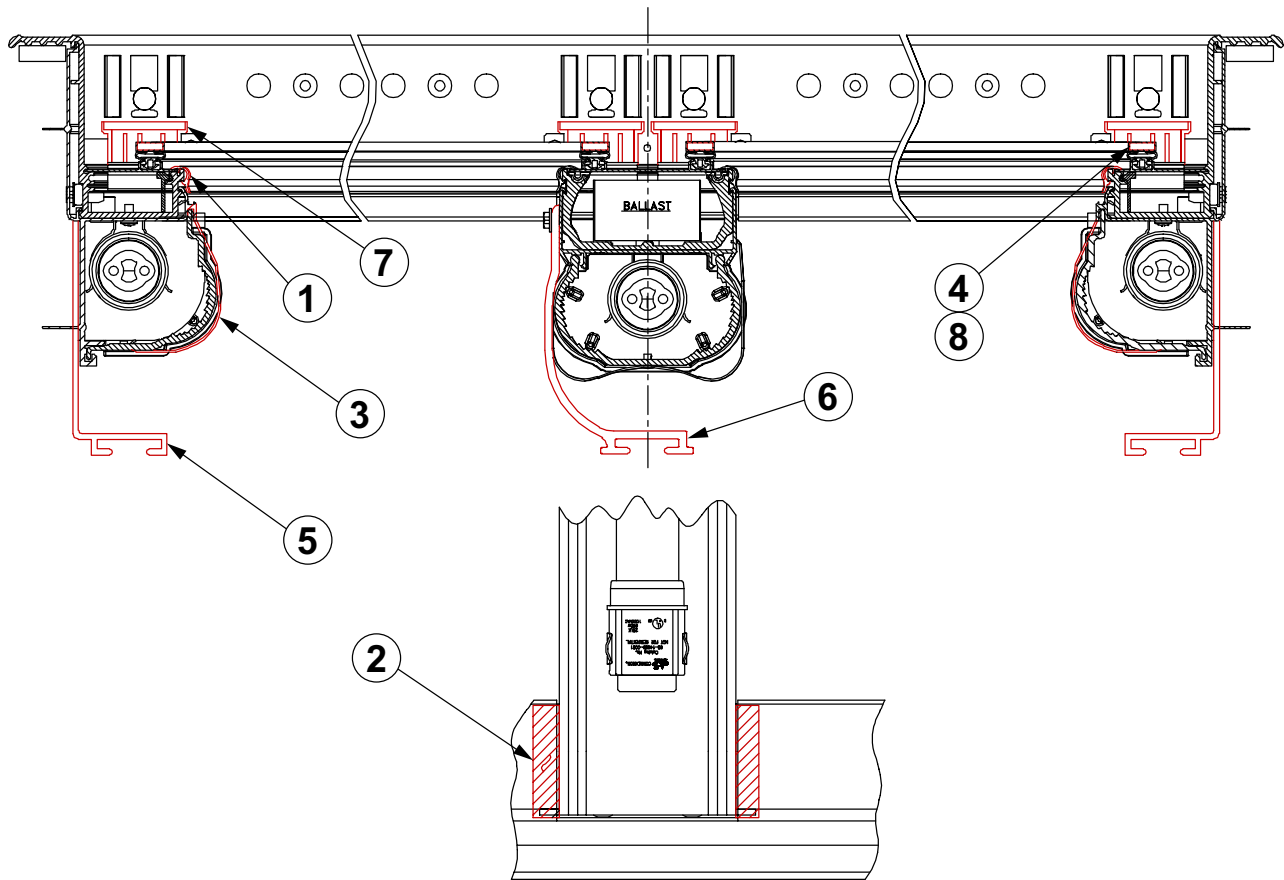


Vista D/Vista E Frame - Section B

Vista D/Vista E Frame - Section B Replaceable Parts

Item #	Part #	Description
1	20-12671-0020	End Perimeter Cover
2	02-10568-0001	Torque Master Assembly

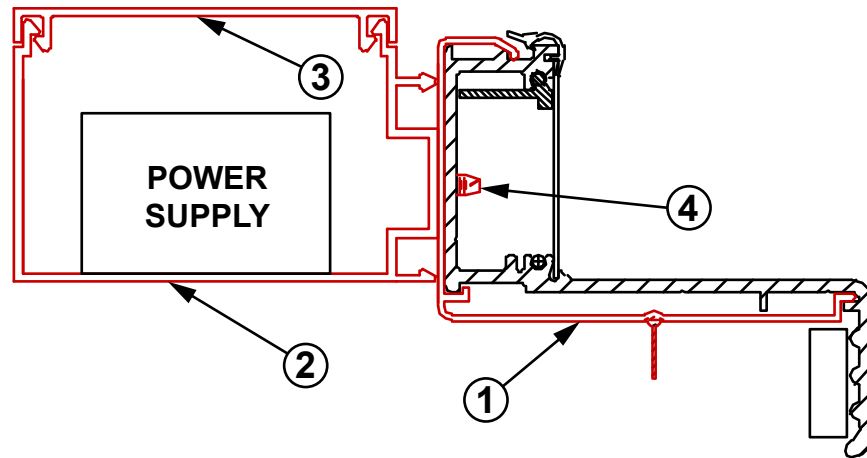




Vista D/Vista E Frame - Section C

Vista D/Vista E Frame - Section C Replaceable Parts

Item #	Part #	Description
1	20-10619-1011	Frame & Mullion Retainer
2	70-13704-0001	Mullion to Frame Gasket
3	02-14787-000X	End Mullion Lens Assembly
4	02-17218-0001	Vista 2-Door Gasket Assembly
5	11-12868-0001	End Mullion Post Bracket
6	11-10602-0001	Center Mullion Post Bracket
7	60-12376-000X	Single Station Socket Connection
8	02-17278-0001	Vista 1-Door Gasket Assembly



*Vista D/Vista E Frame - Section D*

*Vista D/Vista E Frame Parts - Section D Replaceable Parts*

Item #	Part #	Description
1	20-15212-1024	Frame Perimeter w/o Raceway Cover
2	11-10048-0010	Ballast Raceway
3	20-10049-0040	Center Ballast Raceway Cover
4	40-13723-1004	TAP1/4ACF HWH Screw, 10-24 x 5/16

Read instructions completely before installing the frame.

- Clearance between the frame sill and the case bottom or floor is mandated by local building codes.
- Sill net opening height must be at a minimum of two inches.
- Sill must be completely level.

Before installing the frame, confirm that the size of the net opening accommodates the finish frame. If the tolerances are too high, the net opening will have to be enlarged.

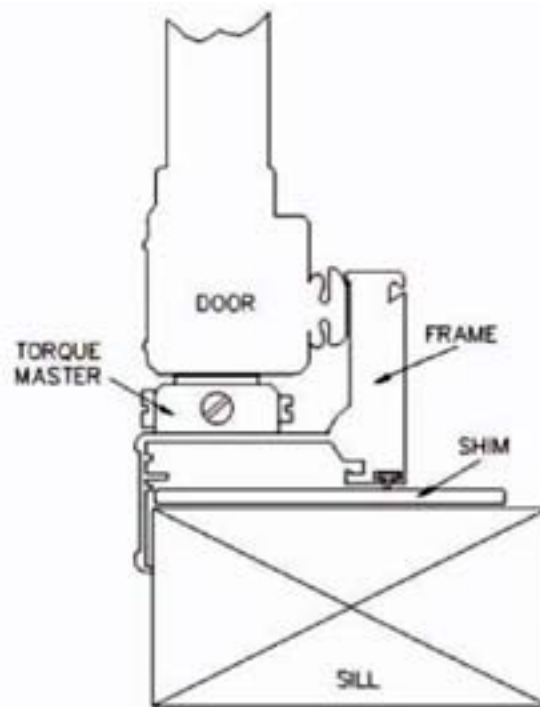
Check the size of the finished frame to the net opening.

- Subtract the frame height measurement, from the net opening's height measurement.
- Subtract the frame width measurement, from the net opening's width measurement.
- Divide each number in half. This is the amount of gap that will occur between the width of the frame and the net opening.

If the gap between the frame and net opening is greater than 1/8", shim the gap for a proper fit.

## Shimming

1. Acquire sturdy, penetrable material, such as plywood. The thickness of the material should be wedge shaped or slightly less than the gap to be filled.
2. Measure the gap length (height or width of frame) and cut the shim material to 1/16" less than the measured length.
3. Install the shim using the same type of mounting hardware that will be used to install the frame. Be certain that the shim installation hardware will not interfere with the frame installation hardware.
4. If necessary, cut a second shim to the same length and install it in the opposite side of the net opening.
5. If the adjacent sides of the net opening need shimming, repeat the previous steps. Match the shim length to the frame sides of the net opening (less 1/16").



*Anthony Door & Frame Cross-Section*

## Frame Installation

1. Verify openings conform to net openings listed in price book or original order.
2. Insert the finished frame assembly into the net opening. DO NOT force the frame if the fit is too tight.
3. Insert a mounting screw into a mounting hole in each corner of the frame and tighten each screw until it is approximately a quarter inch from flush.

4. Check the frame is aligned properly or square. Refer to “Frame Installation Reference”.
  - Use a measuring tape to measure diagonally one corner to the opposite and note the distance.
  - Measure the distance between the remaining two corners.
  - Both measurements should be the same, within a 1/16” difference.
5. Confirm the frame and frame flanges are vertically aligned to the wall surface around the net opening.
6. Place a level on the top flange of the header frame to check if it is horizontally aligned.
7. If the top of the header frame sags or bows, correct as necessary.
8. When the frame is aligned, tighten all mounting screws securely until each is flush to the frame surface.

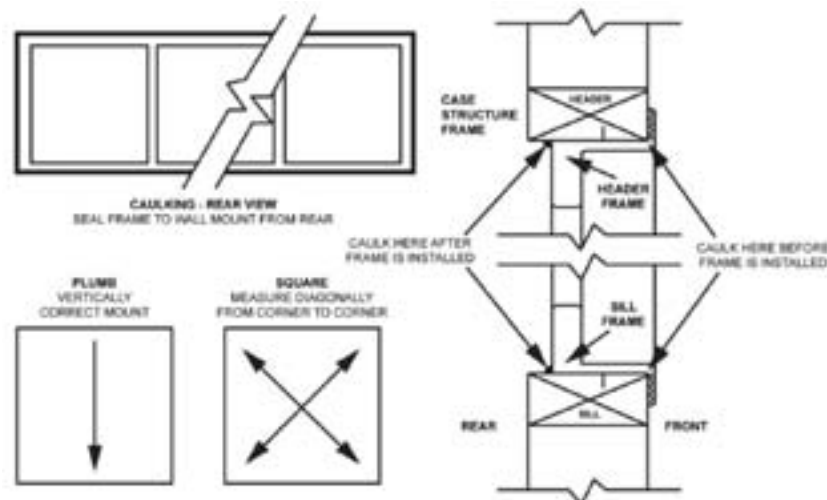
**NOTE: DO NOT over-tighten the screws, as this can cause the frame to become out of square.**

9. Check entire frame to ensure installation is correct.

## Sealing the Frame

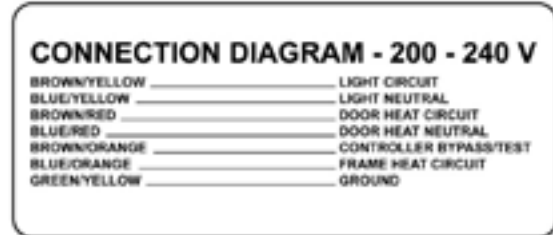
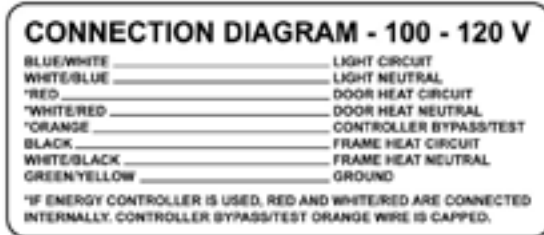
The electrical connection at the Junction Box where the wires enter the frame, and where the wires enter the raceway in the frame must be sealed with silicone caulking at the time of installation.

**NOTE: Use food grade silicone sealant (add caulking for larger gaps) to seal the gap between the frame and the surrounding wall, inside case, cooler or freezer. Not following these procedures can void Anthony’s Service & Warranty on condensation and ice build-up issues.**

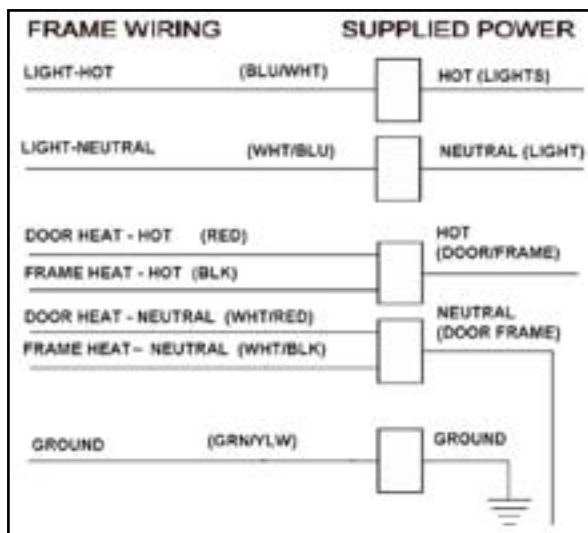


Frame Installation Reference

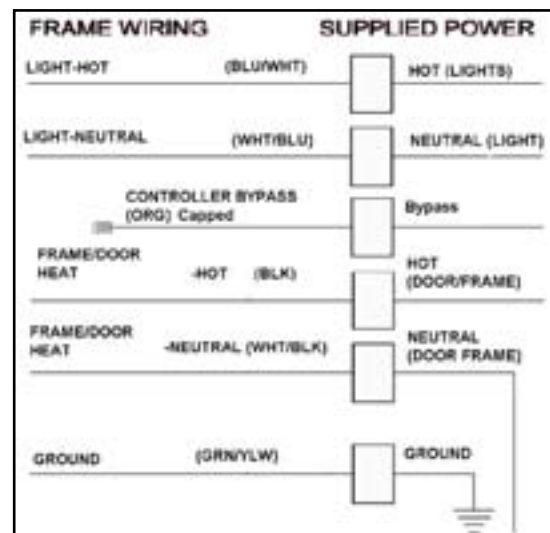
## Frame Electrical Wiring Connections



Wire Diagram Connection Label



Wiring Without Energy Controller

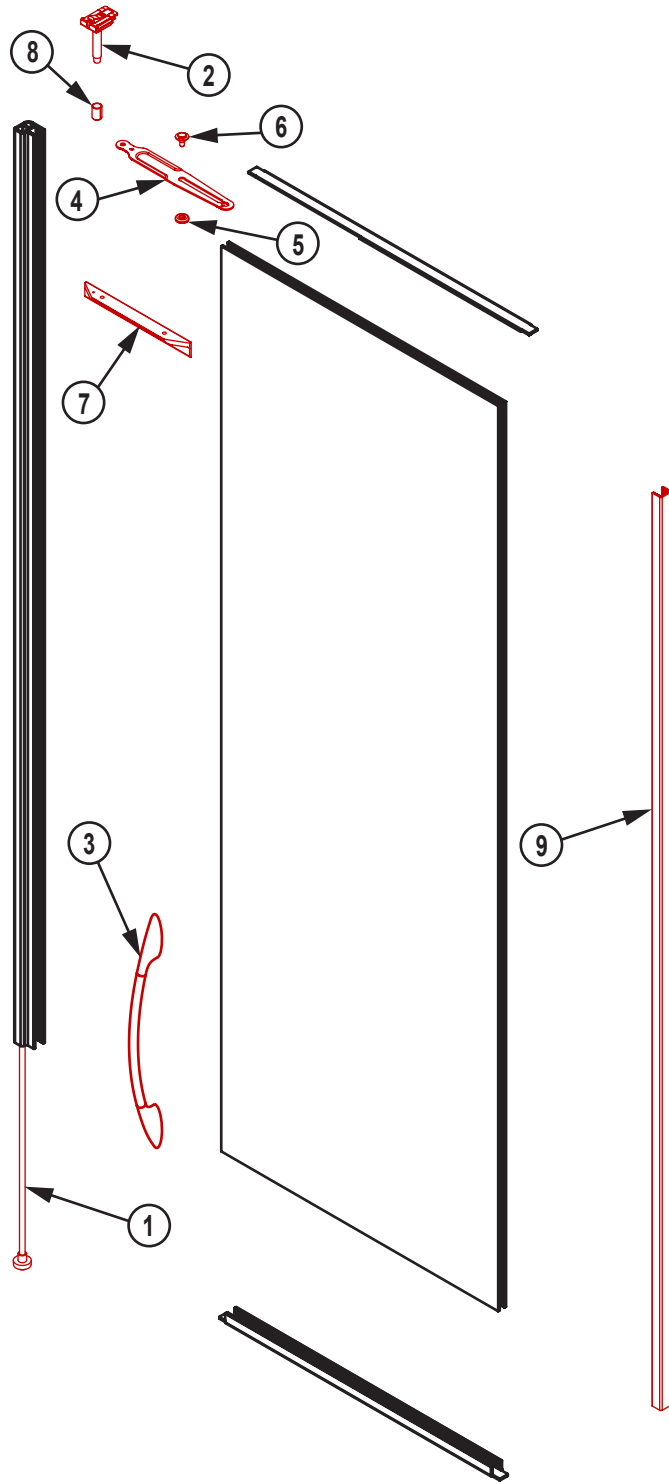


Wiring With Energy Controller

The seven individual wires extending from the flexible conduit atop the frame provide electrical power to various frame and door functions. See the Electrical Wiring Diagrams above for the color-coded connections.

**NOTE:** Wiring for lights should have a separate circuit from the door/frame heater wiring circuit.

## Door Installation - Vista D Door

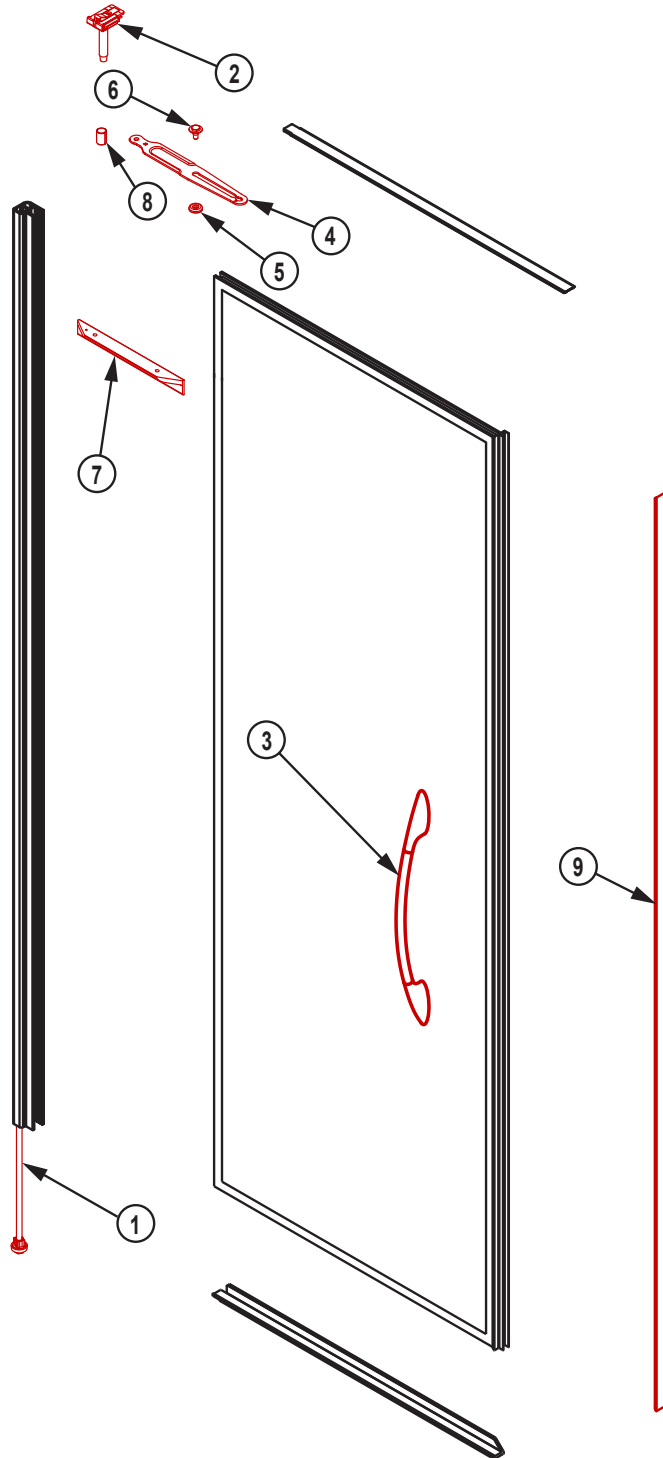


Vista D Door

Vista D Door Replaceable Parts

Item #	Part #	Description
1	02-10308-000X	Torque Rod Assembly
2	60-12723-0003	Hinge Pin Plug Assembly
3	45-17239-000X	Vista Door Arch Handle
4	15-14707-0001	Closed End Hold Open Fork
5	40-15097-0001	Hold Open Detent Spacer
6	40-15096-0001	Vista Hold Open Detent Bolt
7	11-21191-000X	Vista Hold Open Bracket
8	40-17280-0001	Vista Top Bushing
9	20-21264-0000	Vista D Handle Rail w/Flap

## Door Installation - Vista E Door



Vista E Door

Vista E Door Replaceable Parts

Item #	Part #	Description
1	02-10308-000X	Torque Rod Assembly
2	60-12723-0003	Hinge Pin Plug Assembly
3	45-17239-000X	Vista Door Arch Handle
4	15-14707-0001	Closed End Hold Open Fork
5	40-15097-0001	Hold Open Detent Spacer
6	40-15096-0001	Vista Hold Open Detent Bolt
7	11-21191-000X	Vista Hold Open Bracket
8	40-17280-0001	Vista Top Bushing
9	20-21051-0000	Vista E Handle Rail w/Flap

## Door Assembly Installation

1. Hold the door on each side, with the handle facing forward. Lift the door and align the torque rod to insert into the TorqueMaster™ socket at the base of the frame.



*Insert Torque Rod into Torquemaster*

2. Engage the door with the hinge pin inserted into the Gib (hinge pin plug) receptacle at the top of the frame. Push the door into the frame until the hinge pin snaps into place.



*Connect Hinge Pin*

3. Insert the hold-open bolt through the elongated hold-open slot.



4. Insert the washer and the hold-open bolt into the frame mounting hole and tighten the bolt, use a 7/16" open-ended hand wrench.



*Connect Hold Open*

5. Set the door tension swing and correct the door alignment by adjusting the TorqueMaster. (See "TorqueMaster and SAG Adjustment". Refer to TorqueMaster Assembly figure.

**NOTE: Exercise caution when handling the door.**

**NOTE: DO NOT use power tools when adjusting the TorqueMaster.**

**NOTE: DO NOT over tighten the hold-open bolt. Verify that the hold-open does not bind while sliding along the hold-open bolt. Adjust as necessary.**

### Door Assembly Removal

1. Release tension on the TorqueMaster with a flat-head screwdriver. Turn the TorqueMaster front facing screw clockwise, until the door does not automatically close from an open position.



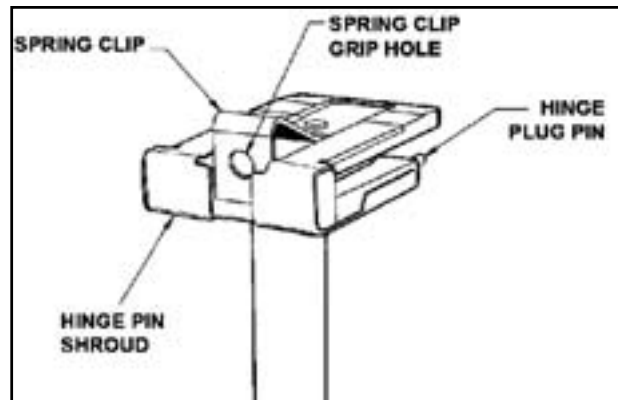
*Release Torquemaster Tension*

2. Open the door to access the hold open device, then loosen and remove the hold-open detent bolt using a 7/16" hand wrench.



*Remove Hold Open Bolt*

3. Retract the door to a near-closed position.
4. Remove the hinge pin plug from the frame by inserting the top-half of needle-nose pliers into the spring clip grip hole and the bottom half beneath the hinge pin shroud.



*Disengage Hinge Pin*

5. Compress the pliers to clamp down on the hinge pin spring clip, then simultaneously pull the hinge pin away from the frame and pull the door top out.



*Disengage Door*

- Lift the door out of the TorqueMaster.



*Withdraw from Frame*

- Secure or lean the door on its side against a stable surface.

### Torquemaster and Sag Adjustment

The TorqueMaster regulates the door alignment and the door closing tension.



*Remove Torque Rod*

- Use a flathead screwdriver to adjust the torque rod tension, by turning the outside screw on the TorqueMaster.
  - Turn counter-clockwise to increase tension.
  - Turn clockwise to decrease the tension.
- Adjust the door sag to square the door in the frame by turning the screw that is marked SAG ADJ. (sag adjustment), on the end of the TorqueMaster, until the door is aligned square in opening.
  - Turn counter-clockwise to raise handle side of door.
  - Turn clockwise to lower the handle side of door.

## Replacing the Vista E Door Model Handle Side Flap

1. Remove the old flap and make sure that all the glass is clean on the surface and of any excess sealant



2. Apply silicone sealant on the new flap



3. Make sure that the silicone sealant is from end to end of the door rail.



4. Make sure that the silicone sealant bead is no bigger that a 3/8" in width.



5. Remove the tape from the door rail. Place the door rail on the edge of the glass. Make sure the sealant should be against the edge of the SGU and the side with tape on the back of the SGU.

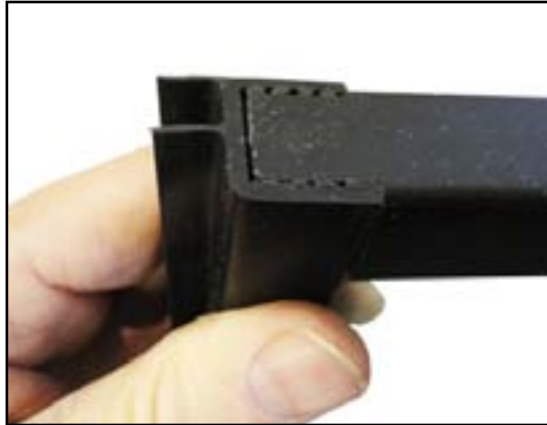


### Removing and Replacing the Vista D Door Rail Plastic Cover

1. Take hold of the plastic cover by hand and simply pull it away from the door. Continue pulling until the cover is fully removed.



2. To replace the plastic cover line the cover up with the edge of the door and press it in until it is snug against the door. Continue seating the cover along the length of the door.



## Revision History

REV	ORIGINATOR	DESCRIPTION OF CHANGE	DATE
A	Pedro Almaguer	Initial Release	04/06/2015