



# Model 1700 Series

## Installation Instructions



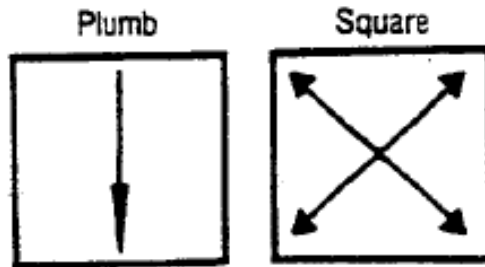
**November, 2012**

**99-13321-S002**

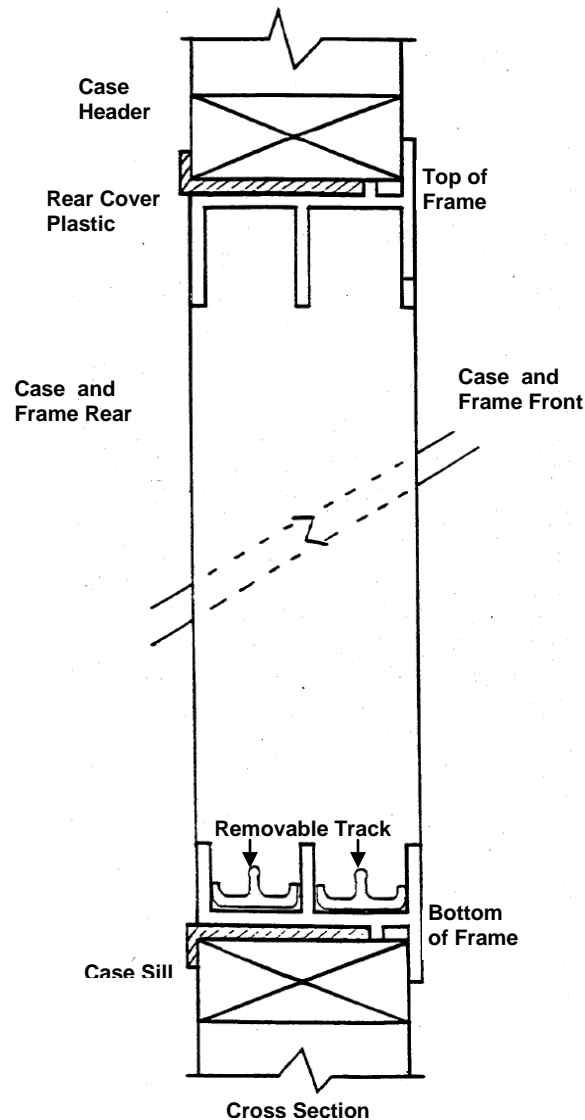
**Model 1700 Series Installation Instructions**

**I. Model 1700 (Beverage Slider)/Model 1710 (Deli Slider) Frame Installation Instructions**

1. Before beginning installation, check rough opening for plumb and square. Shim, if necessary, to meet specified size. See price list for rough opening sizes.



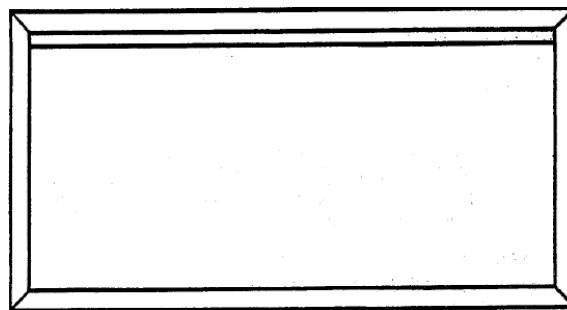
2. Net opening should be plumb and square from left to right, top to bottom and front to back of opening.



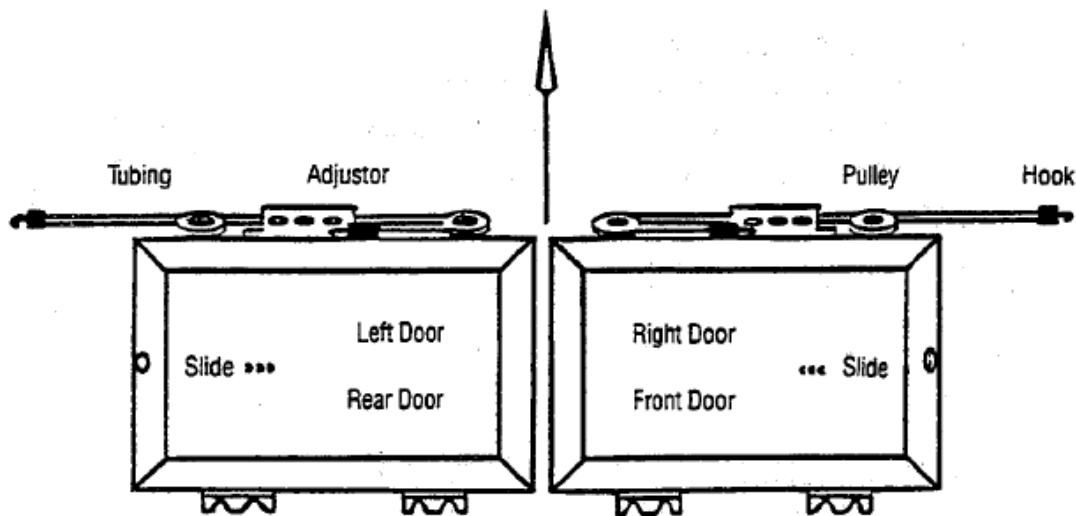
3. Snap rear cover plastic into back outer perimeter of net opening. (This is to finish off back of net opening.) Rear cover must be installed before screwing frame to net opening.

4. Set frame into net opening.
5. Check frame for square as shown. Shim as necessary. Ensure that shims are placed as close to installation holes as possible. When shimming is necessary, shim top and bottom and/or left end and right end of frame to maintain square of frame in net opening.
6. Starting with frame sill, install mounting screws and tighten. First do sides, then top. (*Do not over-tighten top screws, as this will bow the frame!*).
7. **Insert removable bottom front and rear door tracks.**
8. To remove frame from opening, reverse above instructions.

**II. Models 1700-1710 Door Installation Instructions**



Front View of Frame



2-Wheel Roller

**Note:** For K.D. Self-Closing Tubing: Attach hook on end of tubing to eyelet on top side of frame and squeeze hood closed.

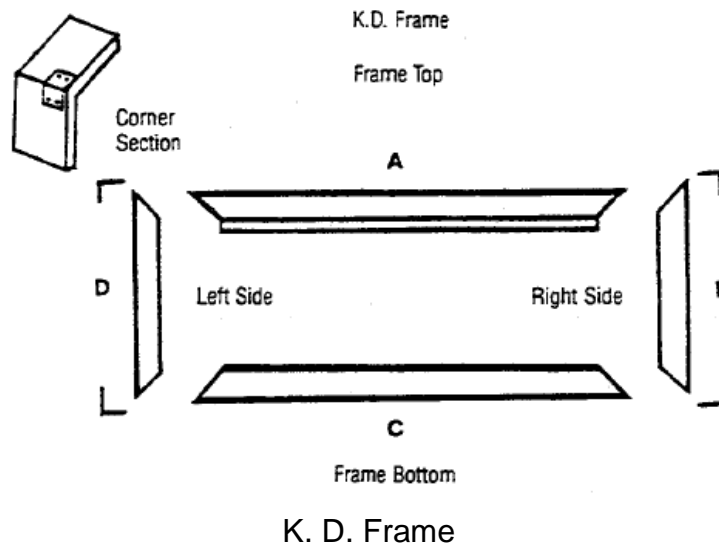
1. Starting with the rear door (the left side door), attach self-closer tube by circling the rollers on top of door, and then attach end of tubing to adjustment plate on top of door.
2. Lift door up into top rear track and then let door down on bottom rear track. Follow same instructions for right front door.
3. *Do not over-adjust self closers to the point that allows the doors to slam shut!*

## Model 1700 Series Installation Instructions

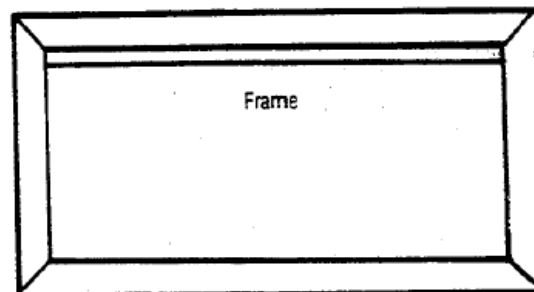
4. Doors are now installed.
5. Note that the seal flap on front inside edge of Model 1700 right door will provide a seal between the front and rear doors.
6. Frames are equipped with cleanout notches in back tracks of frame.
7. The door and frame has an optional hold-open system. If required, simply open either door as far as it opens, then slide the hold-open up (the hold open is located on top side of door), into notch in frame. To release, simply pull hold-open down, and let door close.
8. No door or frame heaters are required, or included.
9. To remove doors, reverse above instructions.

### III. K. D. Assembly Models 1700-1710

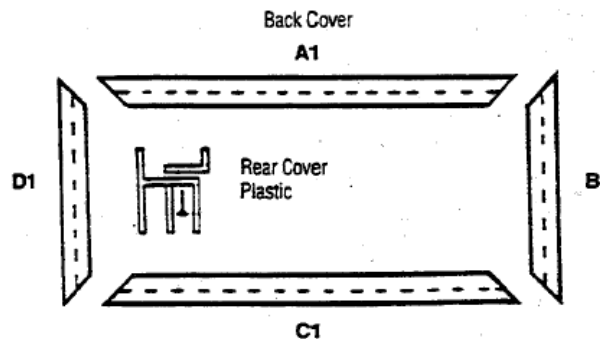
1. Lay frame parts on table using (A) for top rail, (B) for right side of frame, (C) for bottom of frame and (D) for left side of frame.



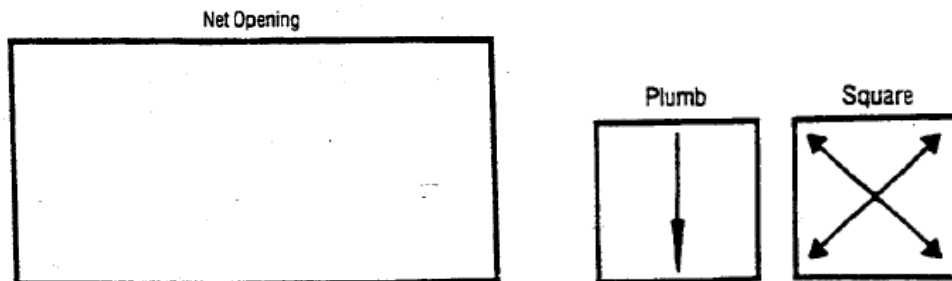
2. Clamping or holding corners together at 45° angle, lay corner piece (provided) over corner of frame, behind front flange, and install four (4) corner screws (provided) in pre-drilled corner holes. Use the two (2) bottom holes on each end of frame corner piece.
3. After all four corners are assembled, check frame for square (measure diagonally).



4. Snap rear cover plastic into back of net opening.
5. Insert frame into net opening (make sure (A) is top, (B) is right side, (C) is bottom and (D) is left side).



6. Check frame for square in net opening (shim if necessary).

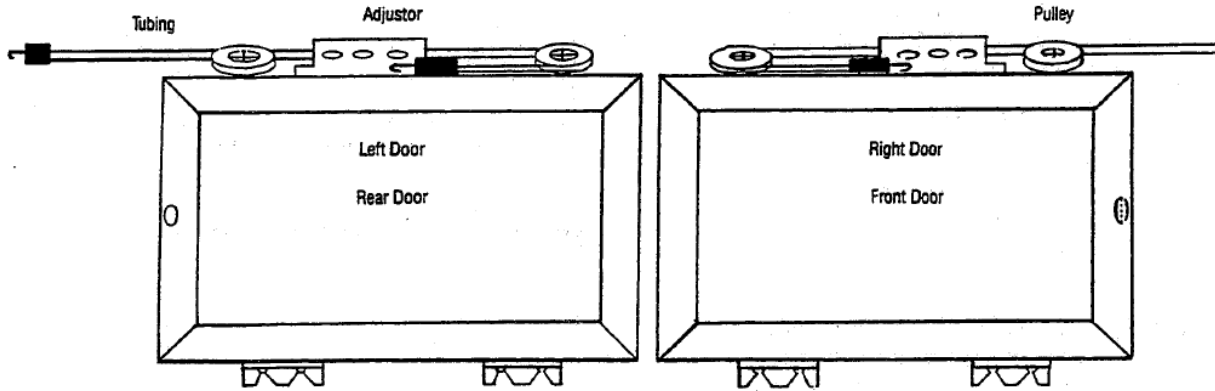


7. Install installation screws starting at bottom of frame first (sill). Tighten screws at bottom first, then do sides, and top. (*Do not over-tighten top screws, as this will bow the frame!*).
8. Frame is now installed.
9. Lay aluminum door track into bottom of frame track: one in bottom rear track, one in bottom front track.
10. See door and self-closing installation instructions.

Note: (1) Self-closer tubing installed at top of both verticals. Left side closer is in rear frame track. Right side closer is in front frame track.

(2) Side bumper seal is installed in side verticals. Left side bumper is in rear frame track. Right side bumper is in front frame track.

IV. Models 1700-1710 Self-Closing Installation Instructions

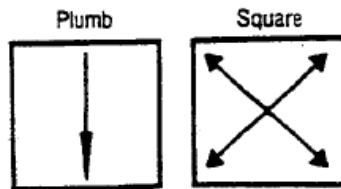


**Note:** For K.D. Self-Closing Tubing: Attach hook on end of tubing to eyelet on top side of frame and squeeze hood closed.

1. Install rear (left door) closer first.
  - a. Set door in front of left side of frame.
  - b. Hold door up with left hand.
  - c. Grasp self-closing tubing from left top rear track of frame in right hand. Pull tubing across back of pulleys, then continue back to front of adjuster. Attach hook in adjuster hole.
  - d. Set adjustment to desired closing. *Do not over-adjust and let door slam against frame when closing!*
2. Reverse instructions for opposite (right-front) door.

V. Models 1720-1725 Horizontal Slider Frame Installation Instructions

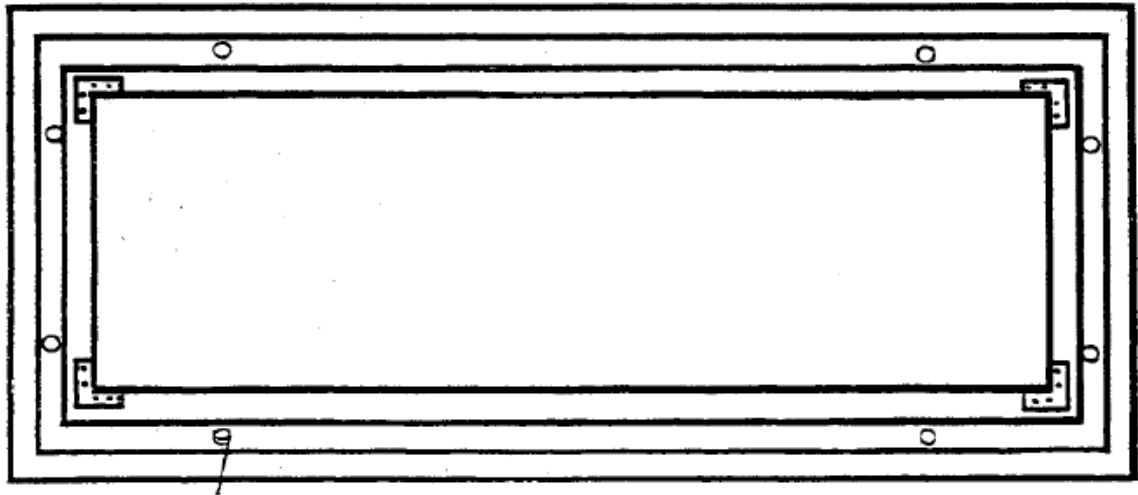
1. Before beginning installation, check rough opening for plumb and square. Shim, if necessary, to meet specified size. See price list for rough opening sizes.



2. Net opening should be plumb and square from left to right, top to bottom and front to back of net opening.
3. Lay down a bead of caulking around edge of net opening.

4. Set frame into net opening; partially install screws into frame. (*Do Not Tighten*).

**Frame**—Looking From Top  
Down Into Case

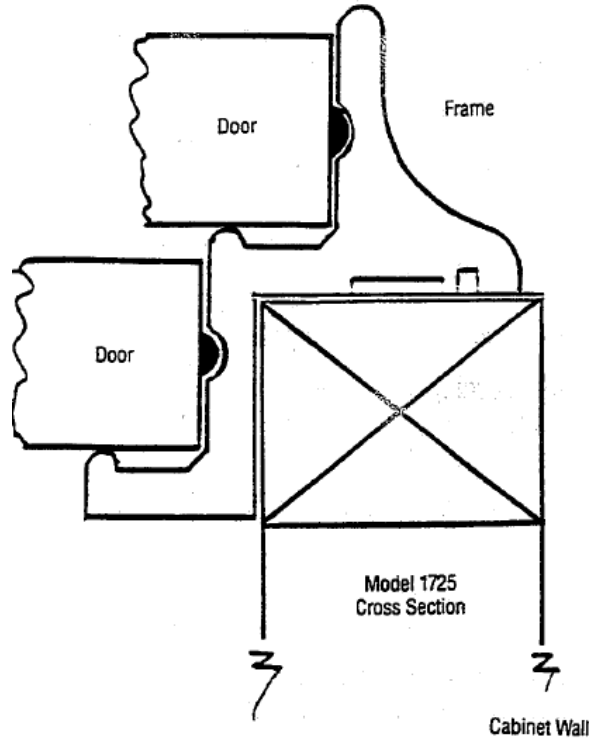


Installation Hole

5. Check frame for square as shown. Shim, if necessary. Ensure that shims are placed as close to installation holes as possible. When shimming is necessary, shim top and bottom and/or left end and right end of frame to maintain square of frame in net opening.
6. To remove frame, reverse above instructions.

## VI. Model 1725 Horizontal Slider Door Installation

1. Install bottom door first. The bottom door (left door) is narrower than the top (right door).



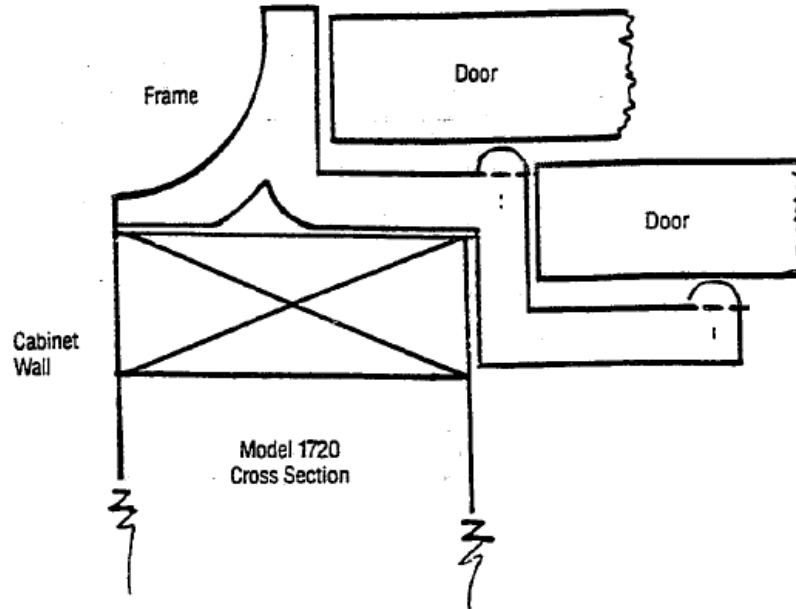
**Note:** Top (Right Door) is Wider Than Bottom (Left Door).

2. Handles to left end and right end of frame.
3. Start door into bottom track. Push spring-loaded guides on the top side of door against bottom side of frame to allow door to fit into opposite side bottom track. This guide also keeps door centered when sliding.
4. Follow same instructions for top door.
5. To remove door, reverse above instructions.



**VII. Model 1720 Horizontal Slider Door Installation**

1. Use same instructions as Model 1725.



2. The difference is that the Model 1720 is a single-pane door versus a double-pane door, and the Model 1720 does not have spring-loaded guides.
3. To remove door, reverse above instructions.