

Four-Post Shelving System Installation

99-15282-0000



Copyright © 2011 by

ALL rights reserved. Information in this document is subject to change without notice. Companies, names and data used in examples herein are fictitious unless otherwise noted. No part of this document may be reproduced or transmitted in any form or by any means, electronic or mechanical, for any purpose, without express permission of Anthony Manufacturing Co., Inc.

Anthony products identified in this manual are designed and certified to meet ANSI for safety, and NSF for sanitation standards.

European products meet CE requirements.

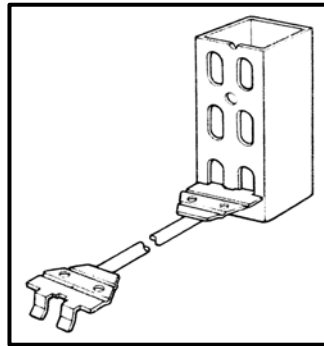
Each customer is responsible for final site approval.

TABLE OF CONTENTS

1. Four-Post Stabilizer Bar Installation	4
2. Four-Post Shelving System Installation (After 1984)	4
3. Revision History Page	6

1. Four-Post Stabilizer Bar Installation

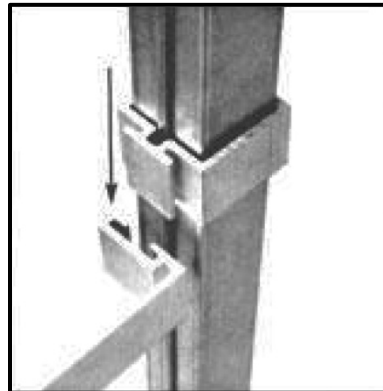
The four-post stabilizer bar is designed to help support the posts during installation and stabilize the system while in use.



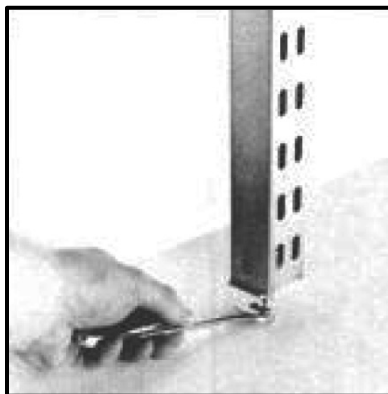
1. Insert the forked end of the stabilizer bar into the elongated holes in the post.
2. Install the post stabilizers on the top and bottom of all posts, front to rear, before installing shelves.

2. Four-Post Shelving System Installation (After 1984)

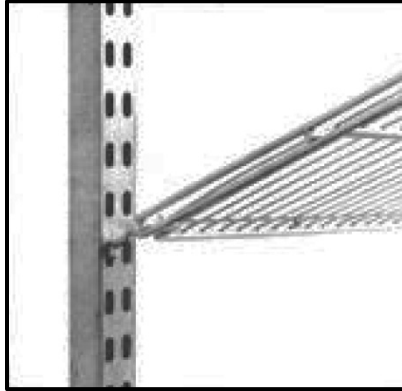
1. Attach the post to the inside of the frame by inserting the post key into the frame retaining bracket. Crimp the bottom of the post key.



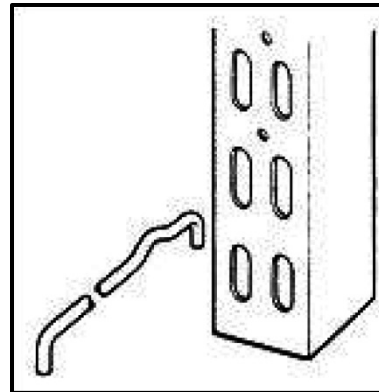
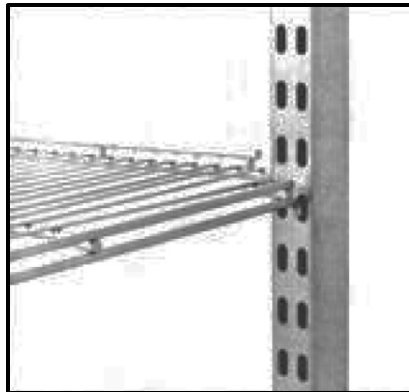
2. Before installing shelves, adjust all front posts to equal heights with the leg leveling bolts at the bottom of the posts.



3. Insert the front of the shelf into the front post at an angle (as shown below). Position rear shelf posts.



4. Drop the rear of the shelf down and pull back into the slot on the rear posts. Continue to add shelves behind each door, spacing as required for the desired product merchandising.



5. After installing the shelves, adjust the rear post leveling bolts to level. The Four-Post Shelving System is now ready for merchandising.



3. REVISION HISTORY PAGE

REV	ORIGINATOR	DESCRIPTION OF CHANGE	EFFECTIVE DATE
A		Initial Release	
B	S. Fisher	Reformat from Framemaker to Word	03/13/2013