

Installation and Service



Kodiak[®] Super Duty Pass-Thru Door

99-22370-S001
July 2015



A DOVER COMPANY

Anthony Locations

North America Locations

Sylmar, CA

Corporate Offices
12391 Montero Avenue
Sylmar, CA 91342
Phone : (818) 365-9451
Toll Free From :
United States : (800) 772-0900
Canada : (800) 336-8825
Fax : (818) 365-2441

Madison, GA

1101 Sovis Rd
Madison, GA 30650
Phone: (706) 342-9300
Fax: (706) 342-9303

Maitland, FL

Anthony Perception Group
555 Winderley Place, Suite 300
Maitland, FL 32751
Phone: (407) 571-6895
Fax: (818) 365-2441

Conyers, GA

709 Sigman Road NE
Conyers, GA 30013
Phone: (678) 607-3800
Fax: (678) 607-3700

International Location

Shanghai, China

No.280, Lane
928, Zhennan Road, Shanghai
China 200331
Phone: +86 216 284 8855
Fax: +86 216 284 9513

Safety and Warnings

FOR YOUR SAFETY

Read and observe all **CAUTIONS** and **WARNINGS** shown throughout these instructions.

While performing installations described; gloves, safety glasses or goggles should be worn.



Prepare Electrical Wiring

Electrical requirements:

This appliance must be supplied with 120V, 60 Hz, and connected to an individual and properly grounded branch circuit, protected by a 15 or 20 ampere circuit breaker or time delay fuse.



BEFORE YOU BEGIN

Read instructions completely and carefully.



WARNING:
TO REDUCE THE RISK OF FIRE, ELECTRICAL SHOCK OR INJURY, OBSERVE THE FOLLOWING:

1. Use this unit in the manner intended by the manufacturer.
2. Before servicing or altering, switch power off.



For use inside a commercial refrigeration case with packaged foods only.

Kodiak Super-Duty Pass-Thru Door Installation Instructions

Anthony Parts Required	5
Tools Required	5
Kodiak Frame Installation.....	5
Kodiak Door Installation	6
Kodiak Door Closers Installation Instructions	8
General Kodiak Door Closer Information	8
Door Orientation	9
Door Closing Control	9
Door Opening Control	9
Door Settings	10
Top Jamb Mount (Push Side) Closer Installation.....	10
Top Jamb Mount Door Closer Dimensions	10
Top Jamb Mount Closer Installation	11
Glass Cleaning Instructions.....	12
Standard Glass Cleaning	12
Revision History	14

Kodiak Super-Duty Pass-Thru Door Installation Instructions

The installation of a Kodiak Super-Duty Pass-Thru Door requires installation of a new frame and door.

Anthony Parts Required

1. Top Jamb Closer Mount
2. Door Closer Kit

Tools Required

#2 Phillips Head Screwdriver	Flat Head Screwdriver	Needle Nose Pliers
Wire Cutting Pliers	Rubber Mallet	M6 Tool

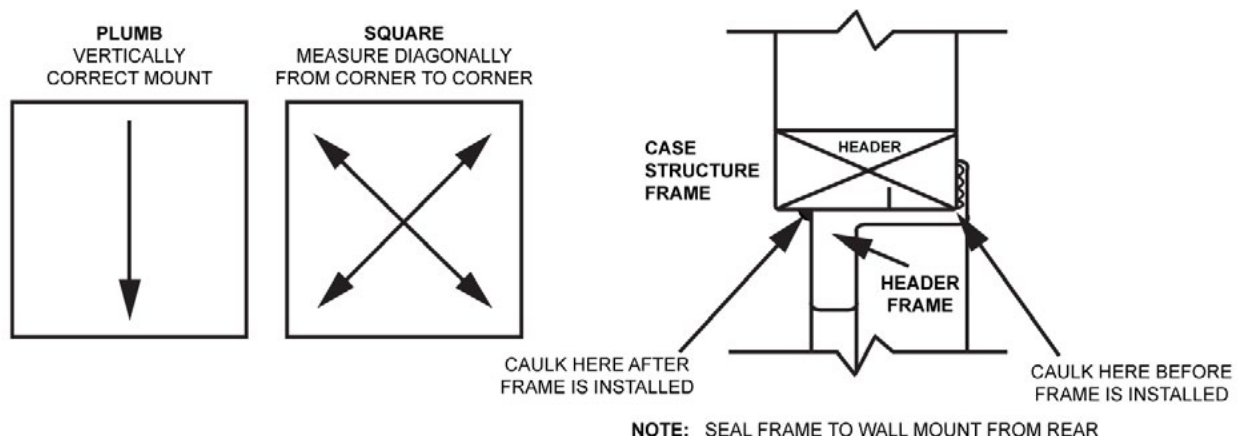
Kodiak Frame Installation

Read instructions completely before installing frames.

1. Openings must conform to net openings required for door.
2. Check size of finished frame to net opening.
3. Do not force frame into tight opening.
4. Check net opening for plumb and square as shown.
 - Jamb and header should be wood for a secure installation
5. Set frame in net opening.
6. Remove the bottom hinge plate screws and anchor the hinge bracket to the floor.

NOTE: If the floor is not level, a shim may be required under the bracket to keep the bracket level with the frame.

7. For safety, partially install wood screws in top of frame. Do not tighten.



Frame Installation Reference

8. Check frame for square, as shown for net opening squareness. Shim as necessary. Ensure that shims are placed as close to installation holes as possible. When shimming is necessary, shim top and bottom and/or left end of frame and



right end of frame to maintain square of frame in net opening.

9. Starting with frame sill, install all mounting screws and tighten, then do sides and top.

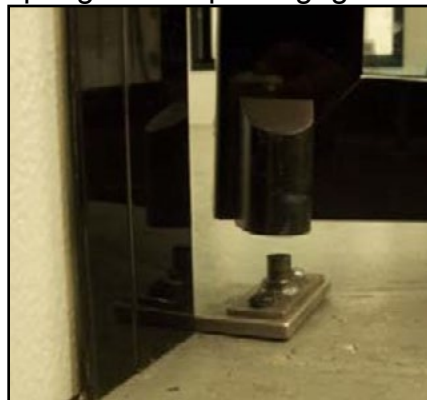
CAUTION: DO NOT over-tighten the mounting screws. Frame rails may be damaged by overtightening screw, and frame may also be bowed.



10. Seal the back (cold side) of the frame with a bead of silicone caulk to prevent any air leaks.

Kodiak Door Installation

1. Handling each door carefully, install them into the frame, one at a time, by inserting the bottom of the door cavity onto the bottom hinge pin.
2. Tilt the top of the door up and toward the frame, inserting the spring loaded hinge pin into the top hinge pin cavity, located in the top of the door frame making sure that the spring loaded pin engages into the upper frame rail hinge



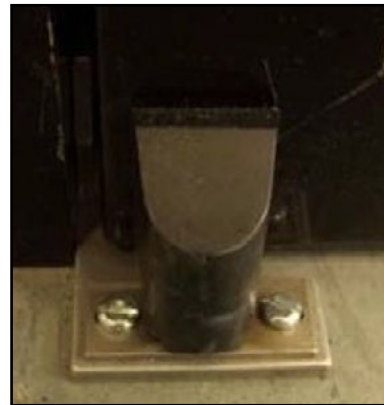
point.

3. Adjust the door swing and door squareness by adjusting the top and bottom hinge points (right to left). There are 2 set screws per hinge point that can be



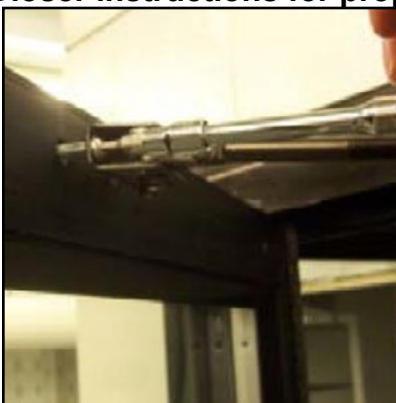
loosened, adjusted and then tightened.

4. Insert the door closer arm into the pre-drilled holes for the bracket (top of door



frame), using an M6 tool to secure the main arm.

NOTE: See the Door Closer instructions for proper adjustment.

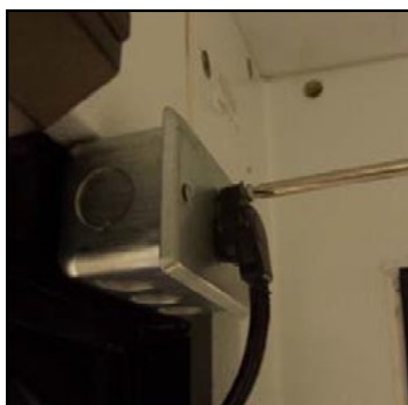


CAUTION: Improper adjustment may result in personal injury or property



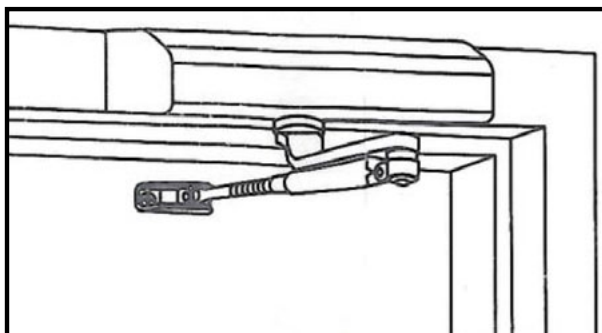
damage. Please follow all instructions carefully.

5. Install the power whip by plugging it into the hinge side upper frame mounted electrical box and use a Phillips Head screwdriver to secure it properly.



Kodiak Door Closers Installation Instructions

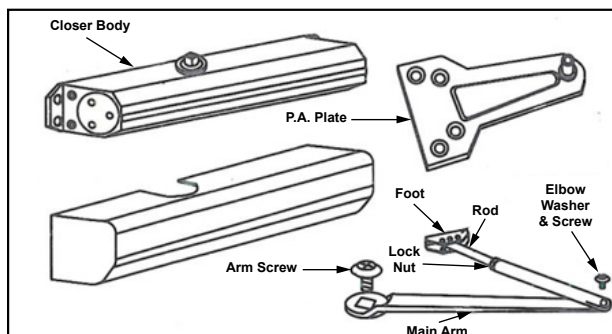
The Top Jamb Mounting (Push Side) Kodiak Door Closer is to be installed.



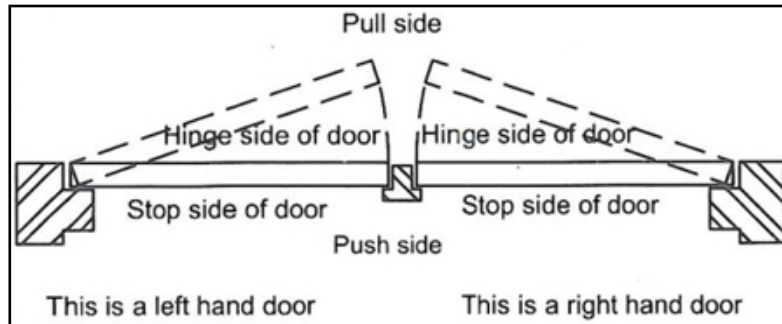
Top Jamb Mounting

General Kodiak Door Closer Information

The Kodiak Door Closer has a cast aluminum body and a duro bronze finish. It's adjustable power size requires less than 5 pounds of force to open. Standard features include: sweep and latching speeds and adjustable backcheck.



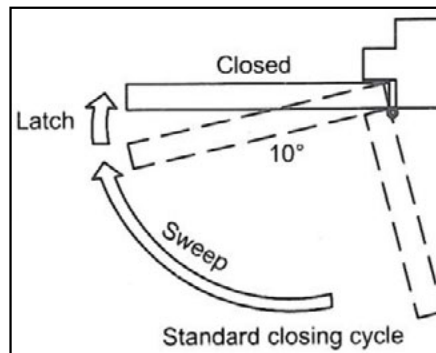
Door Orientation



Kodiak Doors are oriented for both left-hand and right-hand doors.

Door Closing Control

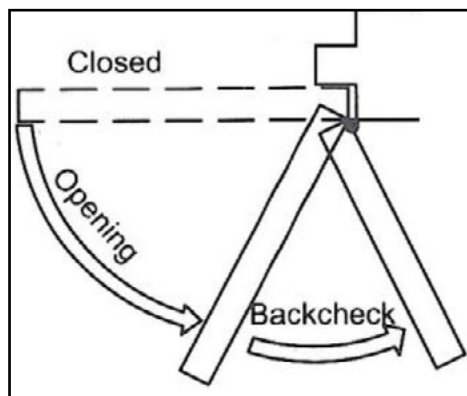
Adjust closing time to between 4 and 6 seconds from 90 degrees. Use of the door by handicapped, elderly or small children may require a longer closing time.



CAUTION: Do not back valves out of closer or a leak will result.

Door Opening Control

Backcheck (BC) valve controls the hydraulic resistance to the door opening in the backcheck range. NEVER close this valve completely. It is NOT to provide a positive stop.



CAUTION: Do not back valves out of closer or a leak will result.

Door Settings

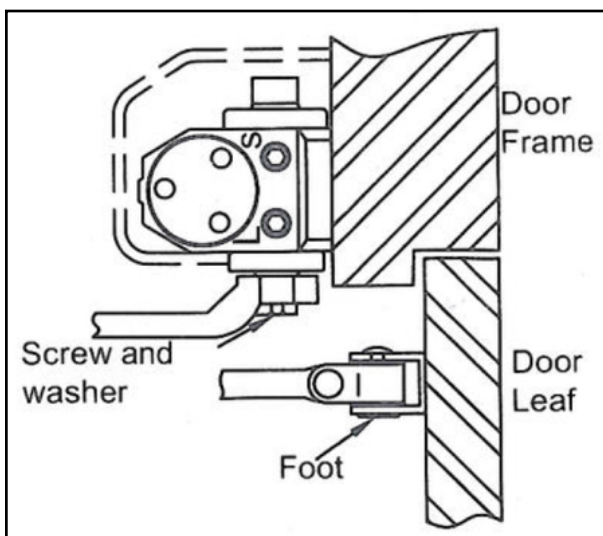
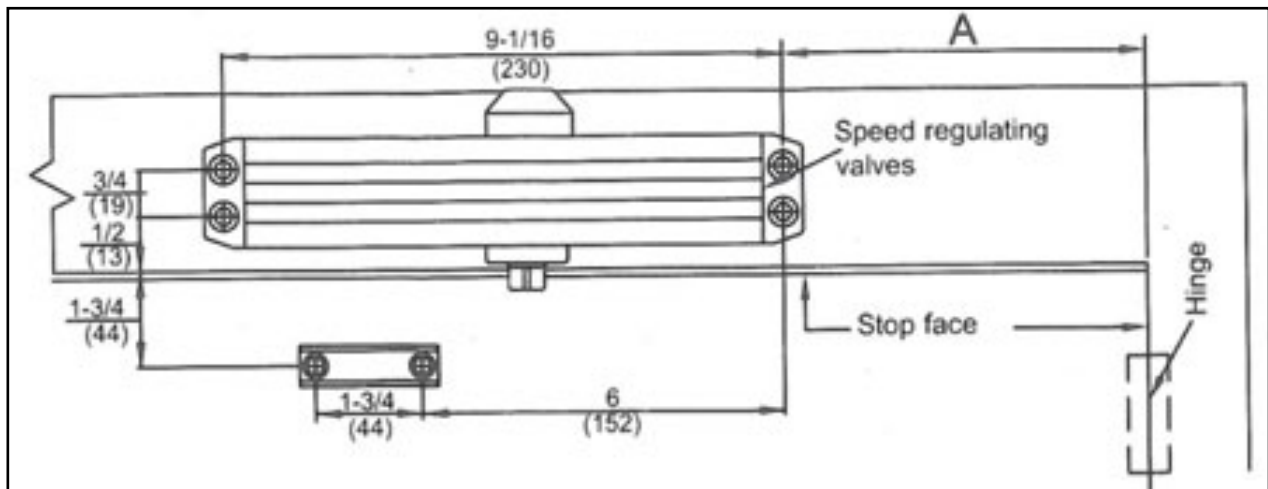
Top Jamb Closer settings per door width are provided in the following table.

Top Jamb Closers			
Maximum Size of Door Width			
Closer Size	Interior	Exterior In-Swing	Exterior Out-Swing
1	28"	X	X
2	36"	X	X
3	42"	30"	36"
4	48"	36"	42"

Top Jamb Mount (Push Side) Closer Installation

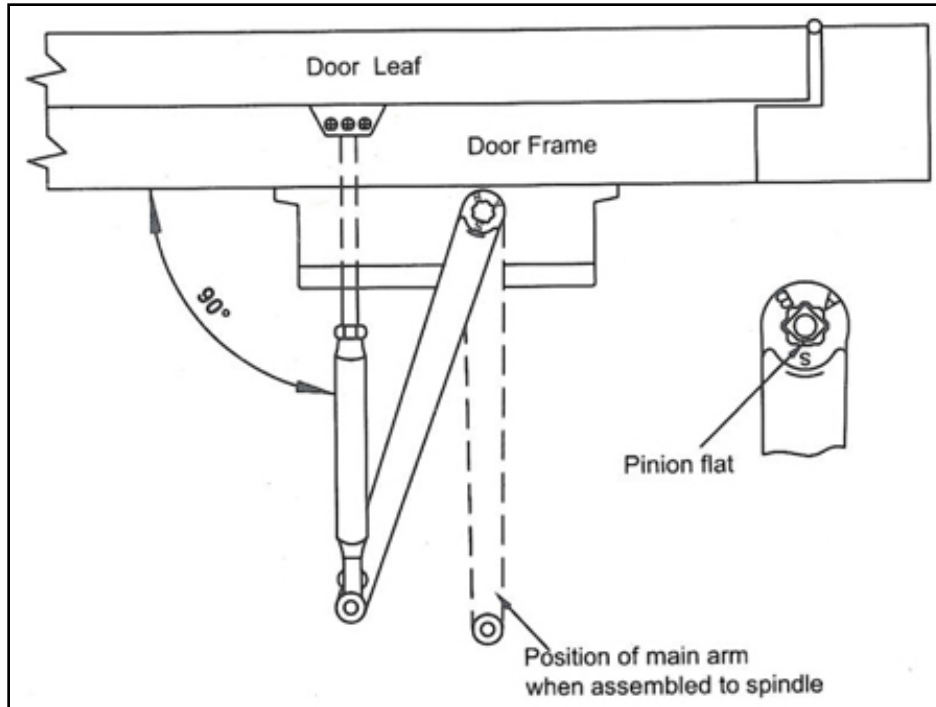
A right-hand door is illustrated. The same dimensions apply to a left-hand door, and are measured from hinge center. Dimensions are in inches (mm).

Top Jamb Mount Door Closer Dimensions



Closer	Dimension 'A'		Opening Angle
	Inch	mm	
Top Jamb Mount	6	152	120°
	3-1/2	89	180°

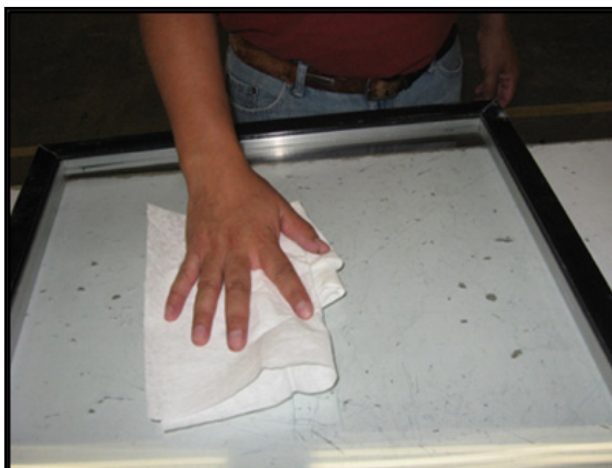
Top Jamb Mount Closer Installation



1. Select opening degree of the door. Use provided dimensions to drill mounting holes on the door leaf and frame.
2. Assemble main arm to closer spindle.
3. Attach the closer body to the door frame with the speed regulating valves toward the hinge.
4. Attach the foot and the rod to the door leaf.
5. Adjust the length of the forearm in order to position it at a right angle to the frame when connected to the main arm at the elbow. Use the provided washer and screw to secure the pivot connection. Tighten the locknut on the forearm.
6. Adjust the closer.
7. Affix the plastic cover to the closer body.

Glass Cleaning Instructions

NOTE: The following section contains important information about cleaning Standard glass. Please read and follow these instructions to prevent damage to the glass.



Standard Glass Cleaning

Standard Anthony tempered glass is susceptible to scratching if abrasive materials are used for cleaning. Once the glass surfaces are scratched, it is impossible to restore the original finish. Special care must be taken to prevent damage when cleaning the glass. Anthony recommends specific products for routine cleaning of Standard glass.

1. Cleaning Cloths

Two cleaning cloth products are recommended. These cloths will normally remove dust, grease, oil, and fingerprints without the need for cleaning fluids.

a. Scotch-Brite® High Performance Cloth

This cloth is manufactured by 3M® and available in most grocery stores under the name Scotch-Brite® Microfiber Cleaning Cloth in a 12" x 14" size. This cloth is washable and may be reused as long as it remains clean.

b. Spontex® Micofibre Cleaning Cloth

This cloth is distributed by Spontex® and available in most grocery stores under the same name in a 15.75" x 12" size. This cloth is washable and may be reused as long as it remains clean.

2. Cleaning Fluid

For more difficult cleaning jobs, several products are recommended. A light spray of these cleaning fluids will reduce the time required for cleaning. These materials have been tested and proven to not scratch or damage Standard glass.

a. Windex® Standard Product Only

Extra-strength or specialty products may not be suitable and damage the glass.

b. Glass-Plus® Standard Product Only

Extra-strength or specialty products may not be suitable and damage the glass.

c. Exceed® Multi-Surface and Glass Cleaner

Source is Kay Chemical Company, Greensboro, NC.

d. Warm Water

NOTE: Equivalent store-brand glass cleaning products are normally acceptable substitutes to the brand name products listed above.

3. Materials NOT to Use

Under NO circumstances should any of the following types of materials be used for cleaning Standard glass.

- Abrasives such as coarse paper towels, scouring pads or powders and steel wool or steel fiber materials.
- Blades
- Detergents that are acidic or highly alkaline or fluorine-based.

Revision History

REV	ORIGINATOR	DESCRIPTION OF CHANGE	DATE
A	Harvey Tsui	Initial Release	07/06/2015