

101 Series

Heavy Traffic

BUILT STRONG
BUILT TO LAST
FOR HEAVY
TRAFFIC



Open the door to Anthony
and [Contact us today!](#)



Built Strong to Last Longer

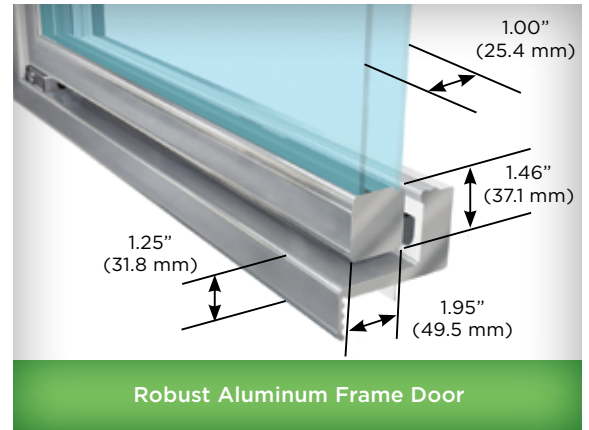
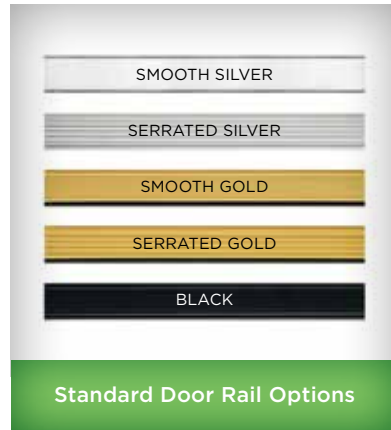
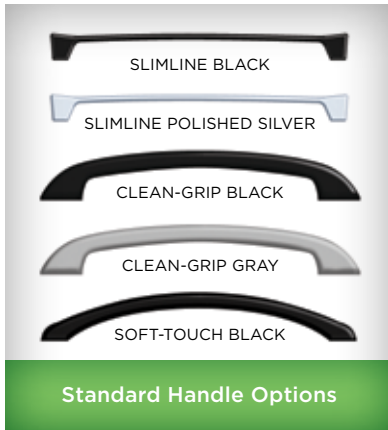
Find value and energy efficiency paired with proven durability in Anthony's 101 Series doors. Designed to offer impressive energy efficiency standards, the 101 Series doors deliver dependability, superior thermal protection against condensation and the wide range of options customers have grown accustomed to with Anthony.

- Energy Free Cooler Door Design reduces energy to the frame by 30%
- Wide range of features and options
- Proven durability for long life
- Heated glass option



101 Series | Heavy Traffic

The 101 Series doors are the wise choice when it comes to energy efficiency and repetitive durability. Expect the 101 Series doors to deliver dependability and a long-term energy savings that provides value for years.



SHELVING	SHELF DEPTH OPTIONS		DOOR WIDTH OPTIONS	
	INCHES	MM	INCHES	MM
*Standard Shelving - (Five Shelves) Doors Less Than 79" (2 m)	24, 27, 36	610, 686, 914	24	610
*Standard Shelving - (Seven Shelves) Doors 79" (2 m) or Taller	24, 27, 36	610, 686, 914	26	660
Gravity Flow Shelving (GFS)	24, 27, 36, 42	610, 686, 914, 1067	28	711
Gravity Flow Merchandising (GFM)	42, 48, 60, 72	1067, 1219, 1524, 1829	30	762
Double Wide Shelving	27, 36	686, 914		

Custom Shelving Available

*27" (686 mm) Shelf Depth Standard

LIGHTING	FIXTURE SIZE IN (MM)	CCT (K)	POWER (W)	ILLUMINANCE (LUX)*	UNIFORMITY**
Standard T-8 Fluorescent	24, 36, 48, 60, 72 (610, 914, 1219, 1524, 1829)	4100	17 - 70	653	11.3:1
Optimax Pro 24 Low Power LED	48, 54, 60, 72 (1219, 1372, 1524, 1829)	3500 4000	Left/Right: 7-9 Center: 14-18	1100	1:1:1
Optimax Pro 24 High Power LED	48, 54, 60, 72 (1219, 1372, 1524, 1829)	3500 4000	Left/Right: 9-12 Center: 18-24	1400	1:1:1

*60" (1524 mm) Lamp measured 4" (102 mm) from frame at door centerline

**60" (1524 mm) Fixture ratio at 4" (102 mm) from frame along vertical centerline (Max:Min)

COMPARISON CHART:



FEATURES:	401	101	ELIMINAATOR RENU
Reversible	X	✓	✓
French Door Frame	X	✓	✓
Annual Operating Cost*	\$219	\$166	\$0

* Freezer Application, \$.12 kWh Utility Rate, one 30" x 67" Door Only



Applications:

- Cooler and Freezer

Standard Features:

- T-8 Fluorescent Lights
- Automatic Hold-Open
- Electrical Hinge Pin
- Torque and Sag Adjust
- Reversible Door Swing
- Magnetic Door Gaskets
- Standard Shelving - 27" Deep (Setback 6 3/4")
- White or Black Shelving with Galvanized Shelf Posts
- EISA Compliant

Options:

- 2 or 3 Pane Heated/Non Heated Glass
- Energy-Free Cooler Door
- French Door Frame (Cooler Application Only)
- Pass-Thru Door Version (103)
- Optimax Pro 24 LED
- ELS T-8
- Satin Silver Anodized Door Rail
- Slimline Gold or Satin Silver Handle
- Full Length Handle
- Electronic, Cylinder or POM Lock
- Energy Controller
- Decorator Tape
- Extra Shelves
- Black/White Epoxy-Coated Shelf Posts
- Anti-Fog

To order today, go to www.anthonyintl.com or call 800-772-0900.